



CRYSTAL
merchandiser®

Crystal Merchandiser® RVMC30BC Specs

Medium Temp Reach-In Remote Display Cases

2-Door, 3-Door, 4-Door, and 5-Door Cases; Bottom Coil

Quick Specs

Energy (Btu/h per Door)*

Standard: 495 at 28°F Evaporator

*when used with parallel rack system

Merchandising (5-Door)

Facings: 70.2 ft²

Packout: 127.1 ft³ with 30" x 24" deep shelves

Features & Options

Go Green

Remote cases ready for CO₂. 90-bar rating available.

High Humidity

Control climate challenges with our advanced humidity package

CoolView® Doors

30" wide x 74" tall CoolView® Illusion® Doors

LED Lighting

ChillBrite® 3500K and 4000K LED Lighting

Additional Models

The Crystal medium temp with 30" doors offer a standard, bottom coil, rear load, deep, and deep rear load style.

Applications



Beverage



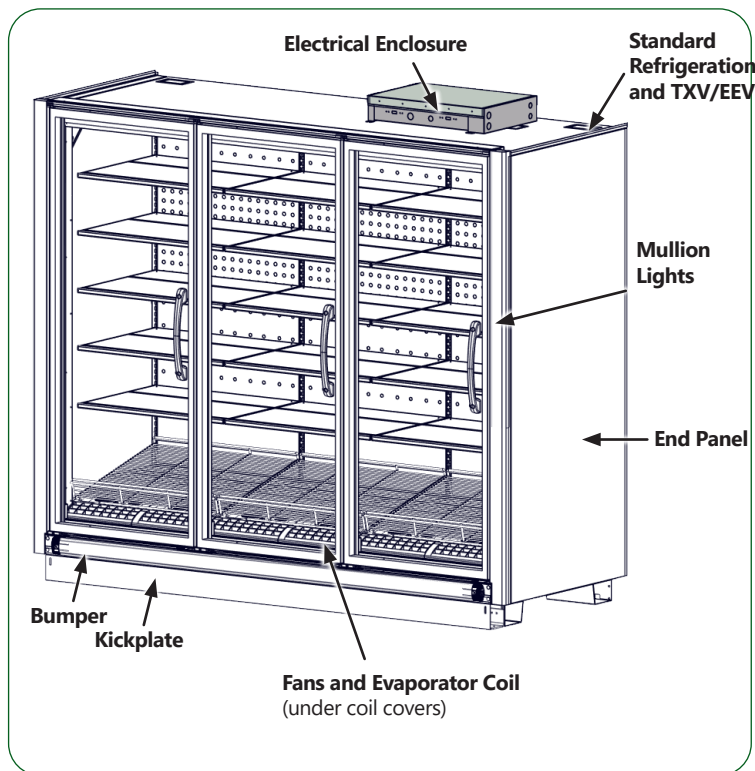
Dairy



Produce



Meat



Manuals and Instructions:

<https://www.zero-zone.com/rvmc-rvlc>



Contact Us:

800-247-4496

www.zero-zone.com

Specifications are subject to change without notice. All dimensions are nominal.
Case designed to operate in an ambient temperature of 75°F and relative humidity of 55% or lower.



SS-133 Rev D • 8/1/2024

© 2024 Zero Zone, Inc.

Page 1 of 4





Refrigeration Data ¹



Set Points	Avg
Evaporator Temperature (°F) ²	28
Discharge Air Temperature (°F) (w/ 8°F Superheat)	33

Notes:

- Crystal Merchandiser® Rear Load cases must be installed in front of the opening in a walk-in cooler.
- For high-glide refrigerants, use dew point for unit sizing. Adjust evaporator pressure as needed to maintain discharge air temperatures.



Energy Use with Parallel Rack System ³	Lineup Data	Individual Case Data (includes 1 pair of end panels)			
	Per Door Avg	2-Door	3-Door	4-Door	5-Door
RVMC30BC Baseline Btu/h	495	875	1,445	2,015	2,585
Btu/h Adders	Per Door Avg	2-Door	3-Door	4-Door	5-Door
Rail Heated Doors (Zero Zone CoolView® Illusion®)	+10	+20	+30	+40	+50
Rail & Glass Heated Doors (Zero Zone CoolView® Illusion®)	+40	+80	+120	+160	+200

Notes:

- Baseline Evaporator Btu/h based on LED lighting (Zero Zone ChillBrite® 4000K), standard-energy doors (Zero Zone CoolView® Illusion®), and ECM or SSC electronic fan motors.

Off-Cycle Defrost	R-404A	R-448A	CO ₂
Time Per Defrost (Minutes)	45	45	45
Drip Time	N/A	N/A	N/A
EPR Settings (PSIG)	52	55	461
Frequency (Per Day)	4	4	4



Refrigeration Piping: R-404A & R-448A ⁴	Outlet Size (in.)			
	2-Door	3-Door	4-Door	5-Door
Suction Line O.D. (Top Refrigeration Exit)	1/2	1/2	1/2	1/2
Suction Line O.D. (Top Refrigeration Exit)	3/8	3/8	1/2	1/2
Liquid Line O.D.	1/4	1/4	3/8	3/8
Refrigeration Piping: CO ₂ ⁵	2-Door	3-Door	4-Door	5-Door
Suction Line O.D. (Top Refrigeration Exit)	3/8	3/8	3/8	3/8
Suction Line O.D. (Top Refrigeration Exit)	3/8	3/8	3/8	3/8
Liquid Line O.D.	3/8	3/8	3/8	3/8

Notes:

- Read the Installation & Operation Manual for more about refrigeration piping to properly size individual risers for circuits of more than one case.



Electrical & Energy Data ⁵



Fan Motors (115V)	Per Door Avg		2-Door		3-Door		4-Door		5-Door	
Number of Fans	--		2		3		4		5	
Fan Motors (115V)	Amps	Watts	Amps	Watts	Amps	Watts	Amps	Watts	Amps	Watts
High-Efficiency Electronic (ECM or SSC)	0.42	24	0.84	48	1.26	72	1.68	96	2.10	120
Lighting System (120V)	Amps	Watts	Amps	Watts	Amps	Watts	Amps	Watts	Amps	Watts
LED Lighting	0.16	19	0.32	39	0.48	58	0.63	77	0.79	96
Anti-Sweat Heat (115V)	Amps	Watts	Amps	Watts	Amps	Watts	Amps	Watts	Amps	Watts
No-Energy Doors (Zero Zone CoolView® Illusion®)	0.00	0	0.00	0	0.00	0	0.00	0	0.00	0
Rail Heated Doors (Zero Zone CoolView® Illusion®) ⁶	0.05	6	0.10	12	0.16	18	0.21	24	0.26	30
Rail & Glass Heated Doors (Zero Zone CoolView® Illusion®) ⁶	0.18	21	0.37	42	0.55	63	0.73	84	0.91	105

Notes:

- 5. Amps are based on electrical nameplate values. Watts are based on laboratory observations of actual energy use.
- 6. High-humidity package includes glass heat, rail heat, and mullion heat.

Physical Data



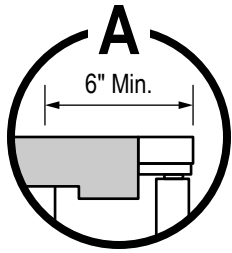
Merchandising	2-Door	3-Door	4-Door	5-Door
Facings (ft. ²)	28.4	42.3	56.3	70.2
Packout (ft. ³) 22" Shelves	51.5	76.7	101.9	127.1
Shipping Weight without End Panels	2-Door	3-Door	4-Door	5-Door
RVMC30BC Weight (lbs.)	755	1,055	1,420	1,800
Shipping Weight with Solid End Panels ⁸	2-Door	3-Door	4-Door	5-Door
RVMC30BC Weight (lbs.)	865	1,165	1,530	1,910

Notes:

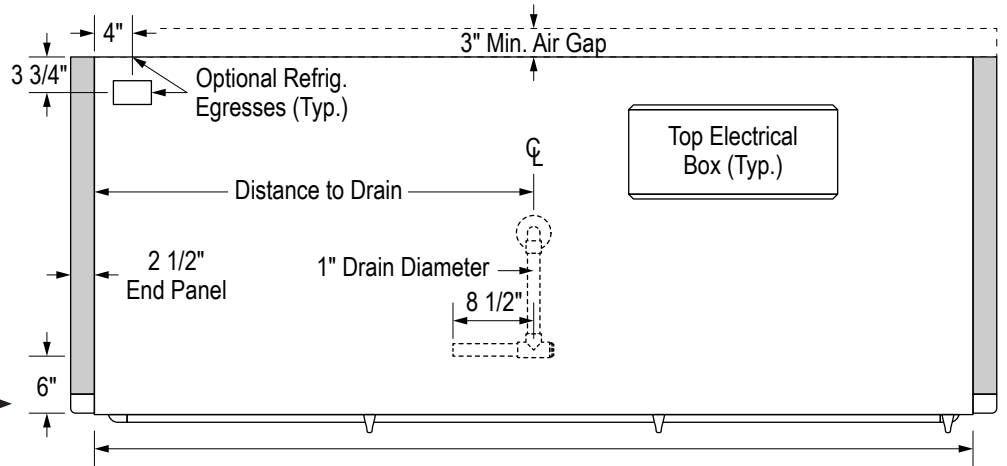
- 8. Each solid end panel: 55 lbs.



RVMC30BC Top View



Building soffits must be set back at least 6" from the front of the doors to allow access to electrical wiring on the top of the case.



Case Dimensions

Measurements	2-Door	3-Door	4-Door	5-Door
Case Length (in.) without End Panels	62 1/8	92 1/2	123	153 3/8
Case Length (in.) with End Panels	67 1/8	97 1/2	128	158 3/8
Distance to Drain (in.) without End Panels	31	46 1/4	61 1/2	76 3/4

RVMC30BC End View

