



REVEAL
merchandiser®

Reveal Merchandiser® ORMC(75/80)-MX Remote Specs

Medium Temp Open Multi-Deck Remote Display Cases

4', 6', 8', and 12' Cases with Low (L) or Medium (M) Sills; Meat Exclusive (MX)

Quick Specs

Energy (Btu/h)*

Meat: 1,365 at 27°F Evaporator

*when used with parallel rack system

Merchandising

Facings: 55.4 ft² with Medium Sill

Packout: 85.7 ft³ with four 22" Shelves

Features & Options

Go Green

Remote cases ready for CO₂. 90-bar rating available.

Additional Models

See separate spec sheets for Standard, Beverage, Dairy, Deli, and Produce Exclusive cases on the Zero Zone website.

LED Lighting

ChillBrite® 3500K LED Lighting for the canopy, sill, or undershelf

Low and Medium Sills

Maximize facings with the low sill, or increase efficiency with the medium sill.

Enhance Your Reveal

Options include mirrors, night curtains, spray hose connection, and more.

Hybrid™ Display Case

Available as Hybrid™ cases. See separate spec sheet.

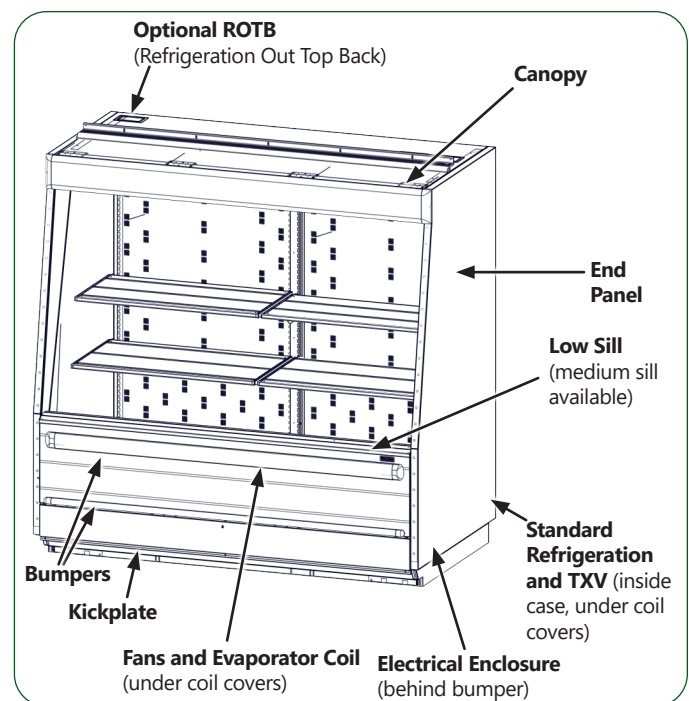


Manuals and Instructions:
<https://www.zero-zone.com/ormc>

Applications



Meat



Contact Us:

800-247-4496

www.zero-zone.com

Specifications are subject to change without notice. All dimensions are nominal.
Case designed to operate in an ambient temperature of 75°F and relative humidity of 55% or lower.



SS-94 REV K • 10/16/2024

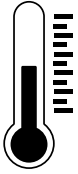
© 2024 Zero Zone, Inc.

Page 1 of 6





Refrigeration Data



Set Points	Per Foot Avg
Evaporator Temperature (°F) ^{1,2}	27
Discharge Air Temperature (°F) (w/ 8°F Superheat) ³	33
Discharge Air Velocity (fpm) ⁴	230

Notes:

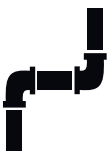
- For high-glide refrigerants, use dew point for unit sizing. Adjust evaporator pressure as needed to maintain discharge air temperatures.
- Evaporator temperatures listed above are for unlit, flat shelves. Evaporator temperatures may need to be reduced for lit and/or angled shelves or aftermarket display accessories.
- Discharge air temperature is measured at the outlet of the honeycomb.
- Discharge air velocity is average velocity at peak of defrost.



Energy Use with Parallel Rack System ⁶	Meat Exclusive				
	Lineup Data	Individual Case Data ⁵			
	Per Foot Avg	4'	6'	8'	12'
ORMC(75/80)-MX Baseline Btu/h	1,365	5,980	8,800	11,505	16,910
Energy Use with Condensing Unit ⁶	Per Foot Avg	4'	6'	8'	12'
ORMC(75/80)-MX Baseline Btu/h (R-404A)	1,515	6,640	9,770	12,770	18,770
ORMC(75/80)-MX Baseline Btu/h (R-448A)	1,555	6,820	10,030	13,115	19,280
Btu/h Deducts	Per Foot Avg	4'	6'	8'	12'
Low Sill with Glass Front	-100	-400	-600	-800	-1,200
Medium Sill	-40	-160	-240	-320	-480
Medium Sill with Glass Front	-140	-560	-840	-1,120	-1,680
Btu/h Adders	Per Foot Avg	4'	6'	8'	12'
Canopy Lights (ChillBrite® 4000K) 2nd Row	+13	+52	+78	+104	+156
Sill Lights (ChillBrite® 4000K) 1 Row	+7	+28	+42	+56	+84
Undershelf Lights (ChillBrite® 4000K) Per Row	+10	+40	+60	+80	+120

Notes:

- Individual case data includes 1 pair of end panels.
- Baseline Evaporator Btu/h based on 1 row LED canopy lighting (Zero Zone ChillBrite® 3500K), ECM or SSC electronic fan motors, 4 rows of 22" flat shelves, and low sill height.



Refrigeration Piping: R-404A & R-448A ⁷	Outlet Size (in.)			
	4'	6'	8'	12'
Suction Line O.D. (Top Refrigeration Exit)	5/8	5/8	7/8	7/8
Liquid Line O.D. (Off Cycle Defrost)	3/8	3/8	3/8	3/8
Refrigeration Piping: CO ₂ ⁷	4'	6'	8'	12'
Suction Line O.D. (Top Refrigeration Exit)	1/2	1/2	1/2	1/2
Liquid Line O.D. (Off Cycle Defrost)	3/8	3/8	1/2	1/2

Notes:

- Use 0.5 lb/ft evaporator refrigerant charge for receiver sizing.



Electrical & Energy Data ⁸



	Per Foot Avg.		4'		6'		8'		12'	
	Amps	Watts	Amps	Watts	Amps	Watts	Amps	Watts	Amps	Watts
Number of Fans			2		2		2		3	
Fan Motors (115V)	Amps	Watts	Amps	Watts	Amps	Watts	Amps	Watts	Amps	Watts
High-Efficiency Electronic (ECM or SSC)	0.11	7.7	0.84	42	0.84	42	0.84	63	1.26	84
Lighting System (120V)	Amps	Watts	Amps	Watts	Amps	Watts	Amps	Watts	Amps	Watts
Canopy LED Lights Per Row	0.047	5.8	0.19	23	0.28	35	0.38	46	0.56	69
Sill LED Lights 1 Row	0.023	2.9	0.09	12	0.14	17	0.19	23	0.28	35
Undershelf LED Lights Per Row	0.012	1.5	0.05	6	0.07	9	0.10	12	0.14	17

Notes:

8. Amps are based on electrical nameplate values. Watts are based on laboratory observations of actual energy use.

Physical Data



Merchandising	4'	6'	8'	12'
Facings (ft. ²)	18.5	27.8	36.9	55.4
ORMC(75/80)-MX Packout (ft. ³) with 4 rows of 22" Deep Shelves	28.6	42.8	57.1	85.7
Shipping Weight ⁹	4'	6'	8'	12'
ORMC(75/80)-MX Weight (lbs.) without End Panels	452	678	791	1,222
ORMC(75/80)-MX Weight (lbs.) with Solid End Panels	512	738	851	1,282
ORMC(75/80)-MX Weight (lbs.) with Windowed End ¹⁰	552	778	891	1,322

Notes:

9. Each solid end panel: 30 lbs. Each windowed end: 50 lbs.

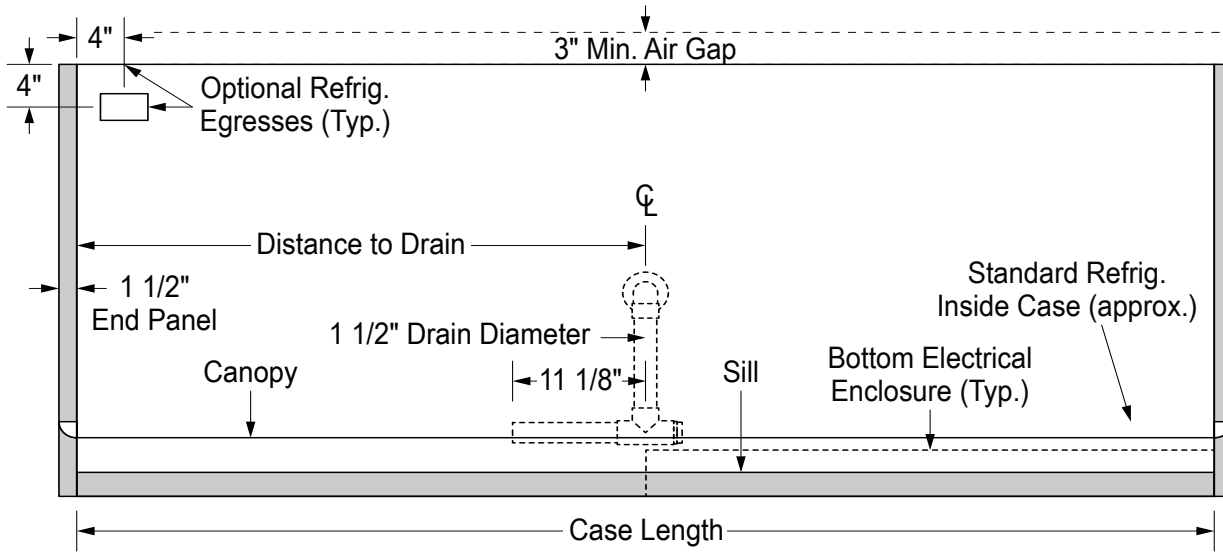
10. Glass windowed end panels only available with 2 1/2" end panels.

Operating Set Points

Off-Cycle Defrost	R-404A	R-448A	CO₂
Time Per Defrost (Minutes)	36	30	36
Drip Time (Minutes)	N/A	N/A	N/A
EPR Settings (psig)	65	57	455
Frequency (Per Day)	4	6	4



ORMC(75/80)-MX Top View



Case Dimensions



Measurements	4'	6'	8'	12'
Case Length (in.) without End Panels	48	72	96	144
Case Length (in.) with End Panels	51	75	99	147
Distance to Drain (in.)	24	36	48	72



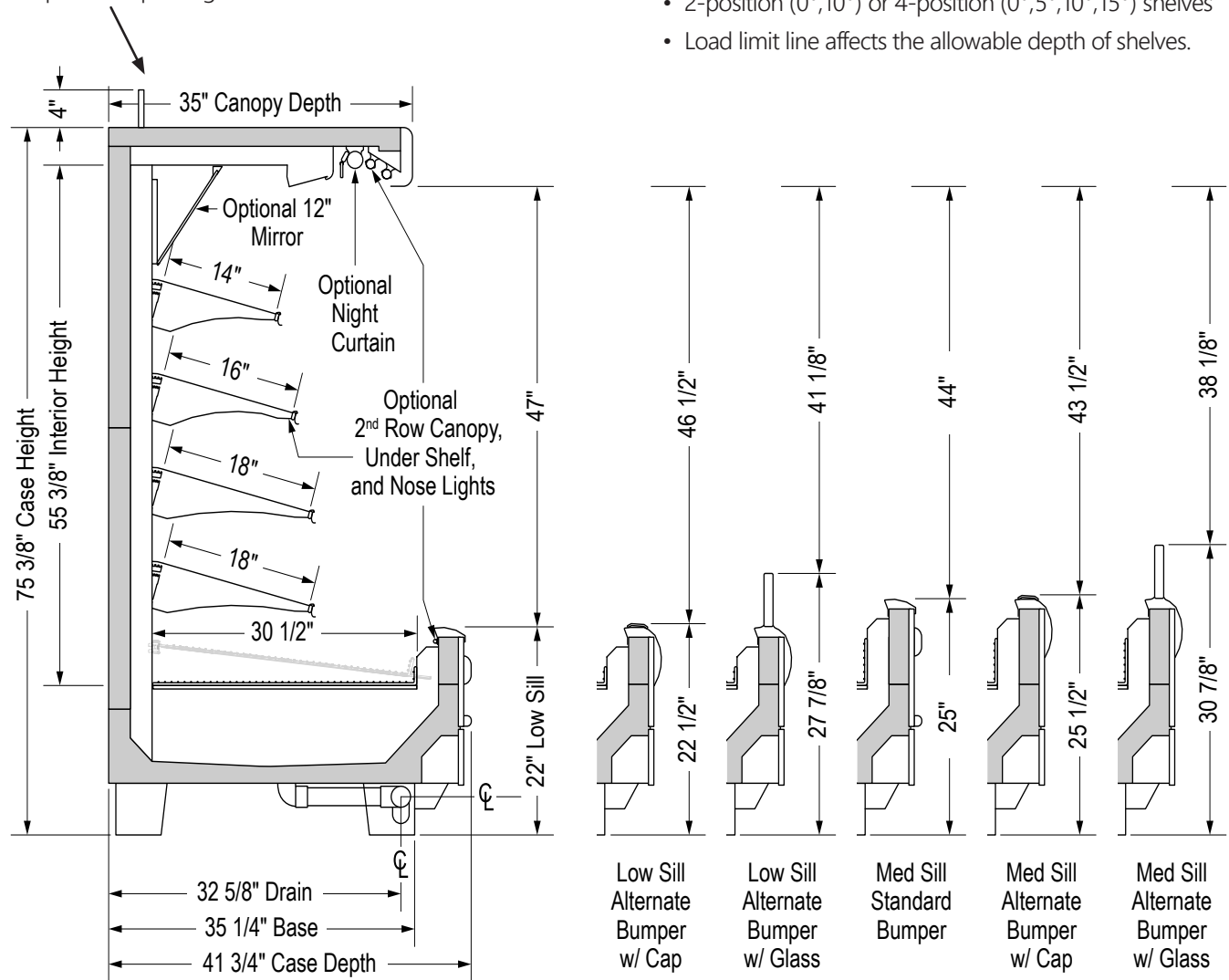
ORMC75-MX End View

Shipping height notes:

- Shipping height is equal to case height minus hat channel rails, if applicable.
- Optional Top Refrigeration Connection

Shelf Notes:

- 4 shelves shown.
- Shelf depths available: 10" to 24" (in 2" increments) and 27".
- 2-position (0°, 10°) or 4-position (0°, 5°, 10°, 15°) shelves
- Load limit line affects the allowable depth of shelves.



Base Notes:

- Base heights available: 4 1/2", 5 1/2", or 10 1/2".
- Changing bases affects case height and shipping height.
- Drain connection height from floor: 3 1/16" with 4 1/2" base.

Light Notes:

- One row of canopy lights is standard.
- Undershelf lights, sill lights, and second row of canopy lights is optional.
- Available with night curtain
- If night curtain is chosen, only one row of canopy lights fits.



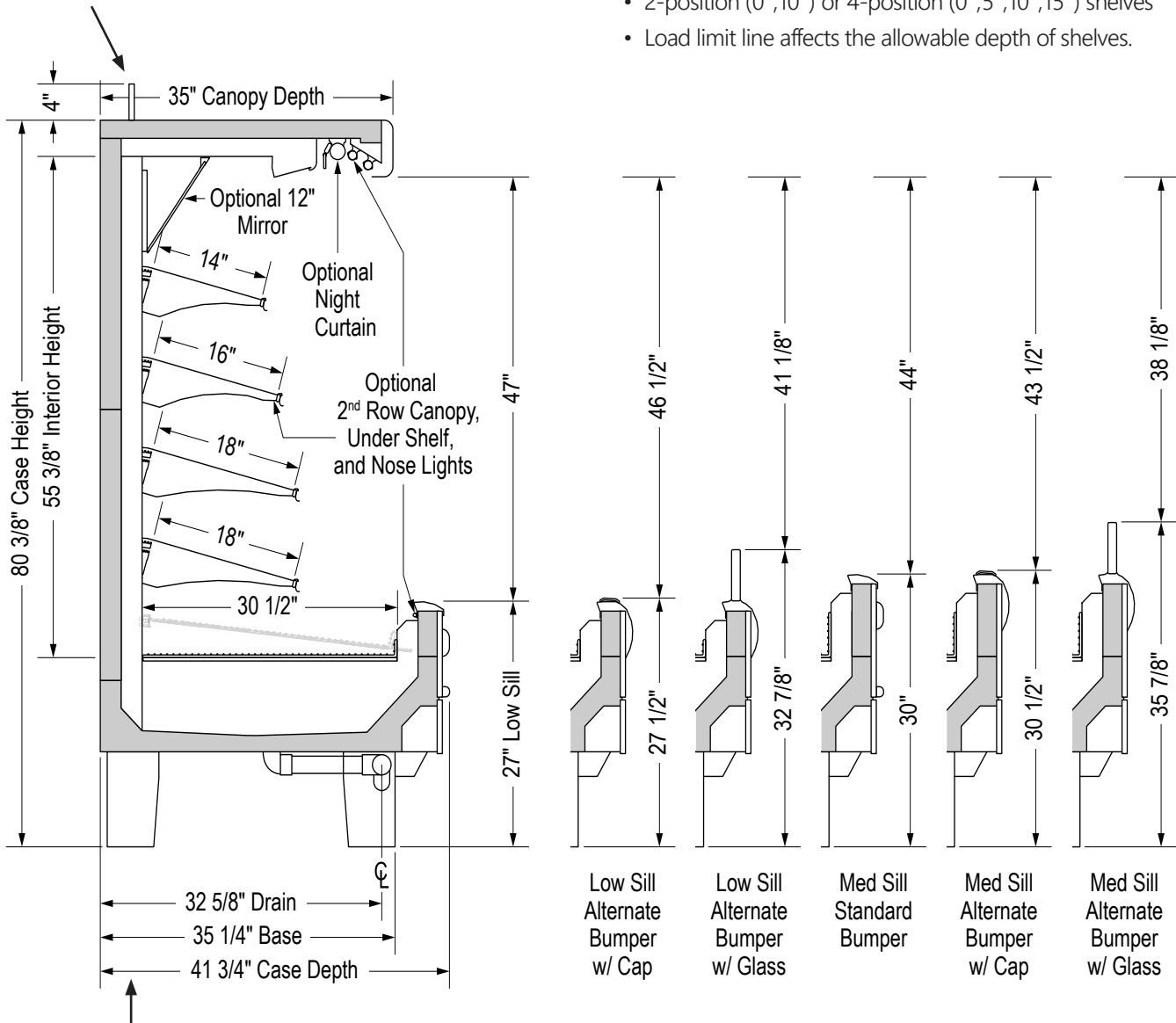
ORMC80-MX End View

Shipping height notes:

- Shipping height is equal to case height minus hat channel rails, if applicable.
- Optional Top Refrigeration Connection

Shelf Notes:

- 4 shelves shown.
- Shelf depths available: 10" to 24" (in 2" increments) and 27".
- 2-position (0°, 10°) or 4-position (0°, 5°, 10°, 15°) shelves
- Load limit line affects the allowable depth of shelves.



Base Notes:

- Base heights available: 4 1/2", 5 1/2", or 10 1/2".
- Changing bases affects case height and shipping height.
- Drain connection height from floor: 9 1/16" with 10 1/2" base.

Light Notes:

- One row of canopy lights is standard.
- Undershelf lights, sill lights, and second row of canopy lights is optional.
- Available with night curtain
- If night curtain is chosen, only one row of canopy lights fits.