


REVEAL
 merchandiser®

Reveal Merchandiser® ORMC(83/88)D Remote Specs

Medium Temp Doored Multi-Deck Remote Display Cases

4' (2-Door), 6' (3-Door), 8' (4-Door), and 12' (6-Door) Cases;

Beverage (B), Dairy or Deli (D), and Produce (P)

Quick Specs

Energy (Btu/h per Foot)*

ORMC83D: 230 at 28°F Evaporator

ORMC88D: 240 at 28°F Evaporator

*when used with parallel rack system

Merchandising

	Facings	Packout*
ORMC83D	63.4 ft ²	140.4 ft ³
ORMC88D	68.4 ft ²	151.8 ft ³

*with 27" Shelves

Features & Options

Go Green

 Remote cases ready for CO₂

LED Lighting

ChillBrite® 4000K LED mullion lighting

Additional Models

See our spec sheets for the open Reveal™ cases on our website.

Hybrid™ Display Case

Available as Hybrid™ cases. See separate spec sheet.


 Manuals and Instructions:
<https://www.zero-zone.com/ormc>

Applications



Beverage



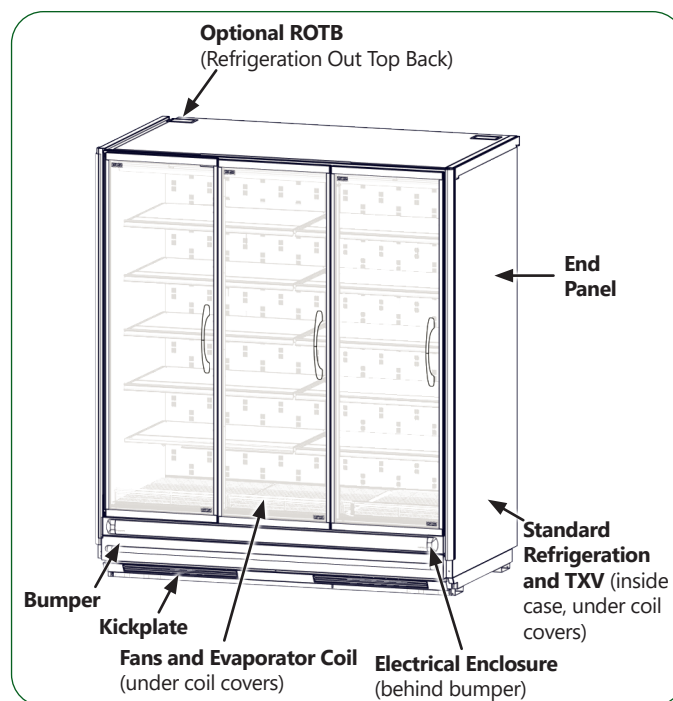
Dairy



Deli



Produce


 Specifications are subject to change without notice. All dimensions are nominal.
 Case designed to operate in an ambient temperature of 75°F and relative humidity of 55% or lower.


SS-114 REV J • 8/15/2024

© 2024 Zero Zone, Inc.

Page 1 of 5



Contact Us:

800-247-4496

www.zero-zone.com




Refrigeration Data



Set Points	Per Foot Avg
Evaporator Temperature (°F) ^{1,2}	28
Discharge Air Temperature (°F) (w/ 8°F Superheat) ³	34

Notes:

- For high-glide refrigerants, use dew point for unit sizing. Adjust evaporator pressure as needed to maintain discharge air temperatures.



Energy Use with Parallel Rack System ³	Lineup Data	Individual Case Data ²			
	Per Foot Avg	4' (2-Door)	6' (3-Door)	8' (4-Door)	12' (6-Door)
ORMC83D Baseline Btu/h	230	1,010	1,470	1,930	2,845
ORMC88D Baseline Btu/h	240	1,045	1,520	2,000	2,950
Energy Use with Condensing Unit ³	Per Foot Avg	4' (2-Door)	6' (3-Door)	8' (4-Door)	12' (6-Door)
ORMC83D Baseline Btu/h	240	1,050	1,530	2,010	2,960
ORMC88D Baseline Btu/h	250	1,085	1,580	2,080	3,070

Notes:

- Individual case data includes 1 pair of end panels.
- Baseline evaporator Btu/h based on parallel rack system, LED lighting (Zero Zone ChillBrite 4000K), no-energy French-swing doors (Zero Zone CoolView® Ultra™), and ECM or SSC electronic fan motors.



Refrigeration Piping: R-404A & R-448A ⁴	Outlet Size (in.)			
	4' (2-Door)	6' (3-Door)	8' (4-Door)	12' (6-Door)
Suction Line O.D. (Top Refrigeration Exit)	3/8	3/8	3/8	1/2
Liquid Line O.D. (Off Cycle Defrost)	1/4	1/4	1/4	3/8
Refrigeration Piping: CO ₂ ⁴	4' (2-Door)	6' (3-Door)	8' (4-Door)	12' (6-Door)
Suction Line O.D. (Top Refrigeration Exit)	3/8	3/8	3/8	3/8
Liquid Line O.D. (Off Cycle Defrost)	1/4	1/4	1/4	1/4

Notes:

- Read the Installation & Operation Manual for more about refrigeration piping to properly size individual risers for circuits of more than one case.



Electrical & Energy Data ⁵



ORMC83D	Per Door Avg		2-Door		3-Door		4-Door		6-Door	
Number of Fans			2		3		4		5	
Fan Motors ORMC83D (115V)	Amps	Watts	Amps	Watts	Amps	Watts	Amps	Watts	Amps	Watts
High-Efficiency Electronic (ECM or SSC)	0.20	5	0.84	17	1.26	26	1.68	41	2.10	52
Lighting System ORMC83D (120V)	Amps	Watts	Amps	Watts	Amps	Watts	Amps	Watts	Amps	Watts
LED Lighting	0.09	11	0.36	42	0.48	56	0.72	84	1.08	126

ORMC88D	Per Door Avg		2-Door		3-Door		4-Door		6-Door	
Number of Fans			2		2		3		4	
Fan Motors ORMC88D (115V)	Amps	Watts	Amps	Watts	Amps	Watts	Amps	Watts	Amps	Watts
High-Efficiency Electronic (ECM or SSC)	0.16	5	0.84	19	0.84	29	1.26	45	1.68	57
Lighting System ORMC88D (120V)	Amps	Watts	Amps	Watts	Amps	Watts	Amps	Watts	Amps	Watts
LED Lighting	0.10	11	0.39	45	0.57	66	0.77	90	1.14	131

Anti-Sweat Heat ORMC(83/88)D (115V)	Amps	Watts	Amps	Watts	Amps	Watts	Amps	Watts	Amps	Watts
No-Energy Doors (CoolView® Ultra®)	0.00	0	0.00	0	0.00	0	0.00	0	0.00	0
Honeycomb Holder Heater	0.03	3	0.13	15	0.17	20	0.26	30	0.35	40

Notes:

- 5. Amps are based on electrical nameplate values. Watts are based on laboratory observations of actual energy use.
- 6. High-humidity package includes glass heat, rail heat, and mullion heat.

Physical Data



Merchandising ORMC83D	4' (2-Door)	6' (3-Door),	8' (4-Door)	12' (6-Door)
ORMC83D Facings (ft. ²) with Medium Sill	21.1	31.7	42.3	63.4
ORMC83D Packout (ft. ²) with 24" shelves	44.0	66.0	88.0	132.1
ORMC83D Packout (ft. ²) with 27"shelves	46.8	70.2	93.6	140.4

Merchandising ORMC88D	4' (2-Door)	6' (3-Door),	8' (4-Door)	12' (6-Door)
ORMC88D Facings (ft. ²)	22.8	34.2	45.6	68.4
ORMC88D Packout (ft. ³) with 24" shelves	47.4	71.0	94.7	142.1
ORMC88D Packout (ft. ³) with 27"shelves	50.6	75.9	101.2	151.8

Shipping Weight without End Panels	4' (2-Door)	6' (3-Door)	8' (4-Door)	12' (6-Door)
ORMC83D Weight (lbs.)	775	933	1,020	1,254
ORMC88D Weight (lbs.)	790	1,020	1,170	1,470
Shipping Weight with Solid End Panels ⁷	4' (2-Door)	6' (3-Door)	8' (4-Door)	12' (6-Door)
ORMC83D Weight (lbs.)	835	993	1,080	1,314
ORMC88D Weight (lbs.)	850	1,080	1,230	1,530
Shipping Weight with Windowed End ⁷	4' (2-Door)	6' (3-Door)	8' (4-Door)	12' (6-Door)
ORMC83D Weight (lbs.)	885	1,043	1,130	1,364
ORMC88D Weight (lbs.)	900	1,130	1,280	1,580

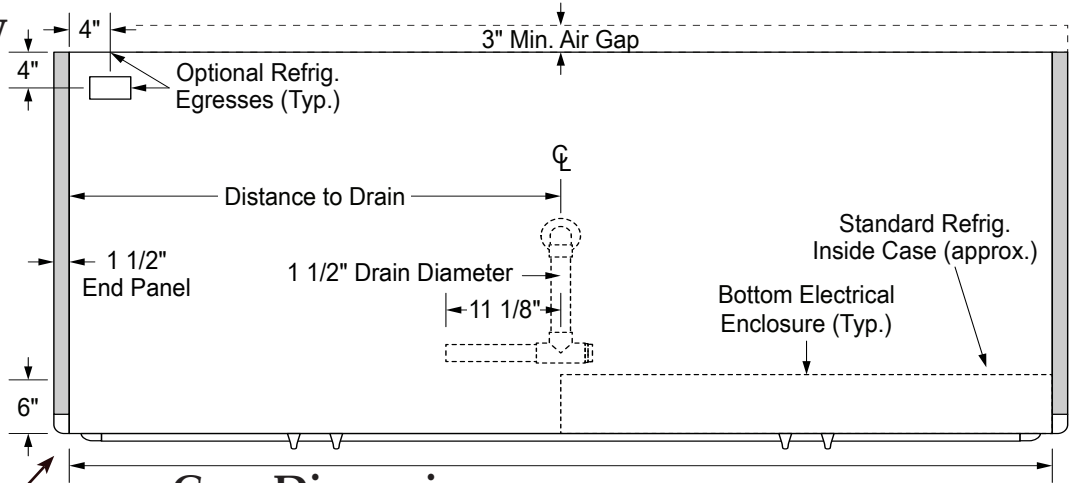
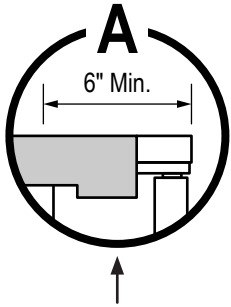
Notes:

- 7. Each solid end panel: 30 lbs. Each windowed end: 55 lbs.



Reveal Merchandiser® ORMC(83/88)D Specs

ORMC83D Top View



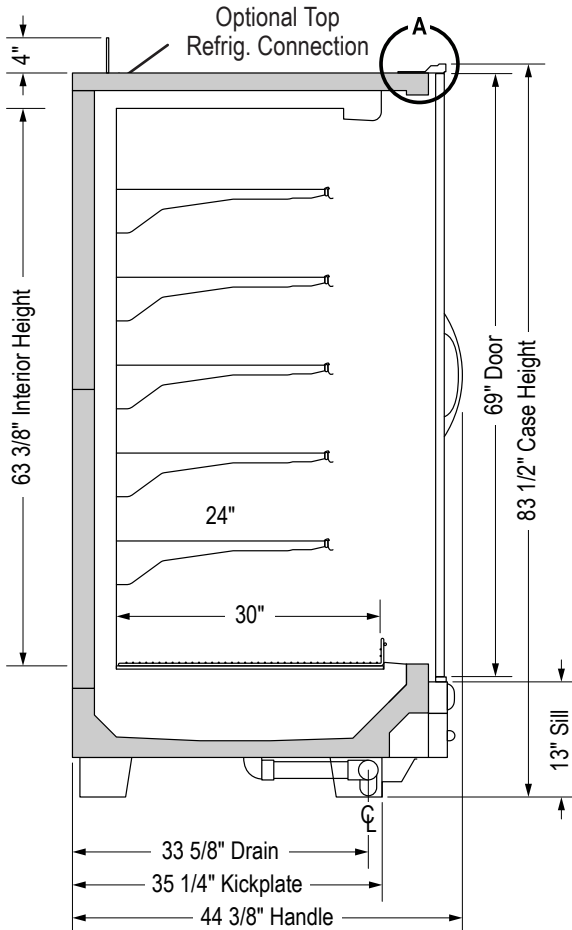
Building soffits must be set back at least 6" from the front of the doors to allow access to electrical wiring on the top of the case.



Case Dimensions

Measurements	4' (2-Door)	6' (3-Door)	8' (4-Door)	12' (6-Door)
Case Length (in.) without End Panels	48	72	96	144
Case Length (in.) with End Panels	53	77	101	149
Distance to Drain (in.)	24	36	48	72

ORMC83D End View

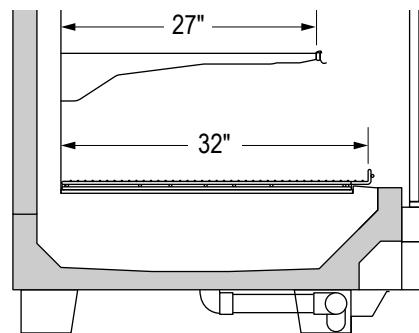


Shelf Notes:

- Shelves available in 22", 24", and 27" depths.
- 32" bottom wire rack available. Recommended for Beverage application.

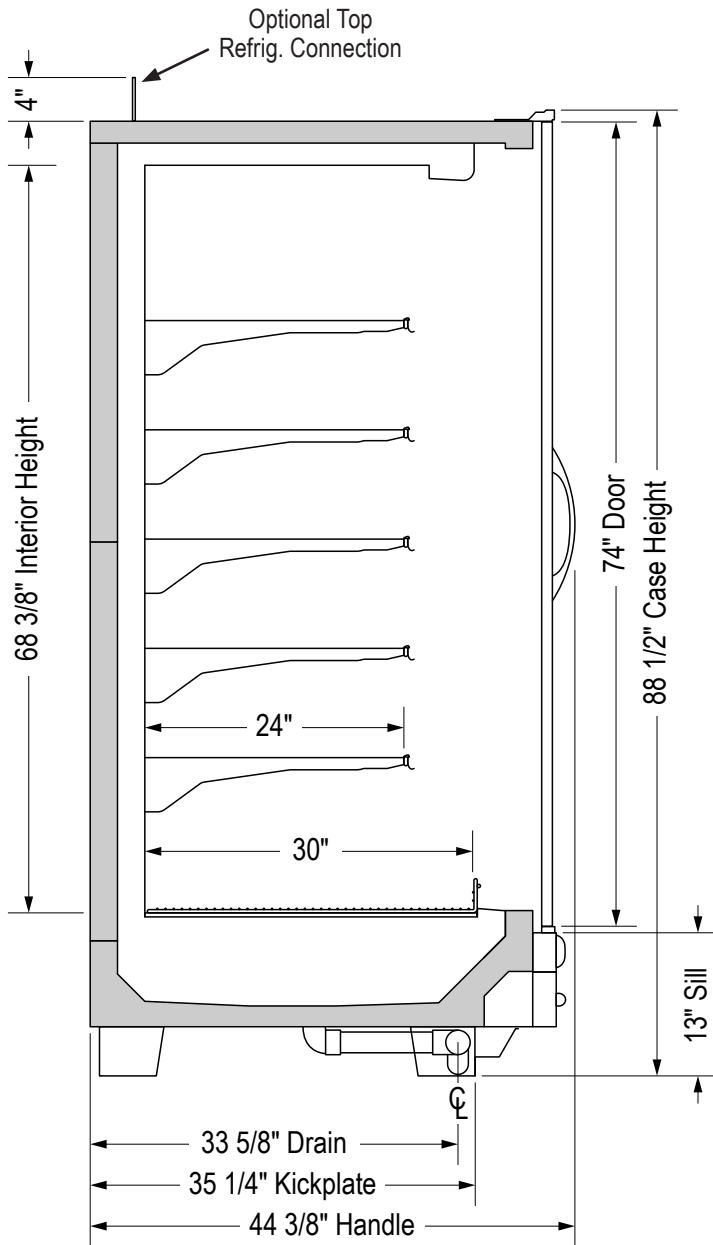
Base Notes:

- Base heights available:
- Drain height from floor: 3 1/8" with 4 1/2" base





ORMC88D End View



Shelf Notes:

- Shelves available in 22", 24", and 27" depths.
- 32" bottom wire rack available.
Recommended for Beverage application.

