

SHROUD INSTALLATION INSTRUCTIONS

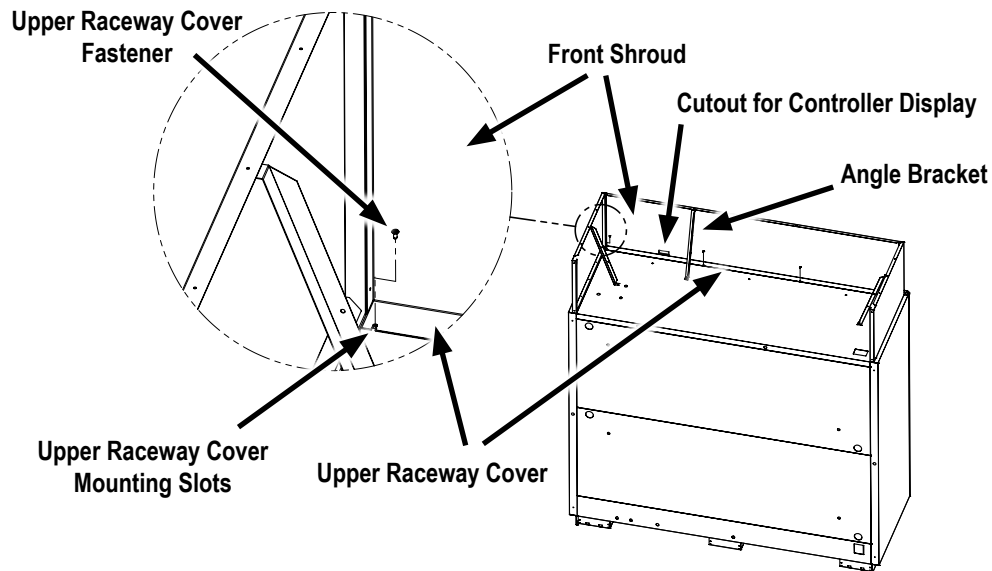
Standard Shroud Assembly for Highlight Merchandiser®

For proper shroud installation on Highlight Merchandiser®, start with the front shroud. This will help determine the correct position of the side shrouds.

FRONT SHROUD ASSEMBLY

1. Loosen fasteners on upper raceway cover.
2. Position front shroud over upper raceway cover mounting slots.
3. Attach front shroud to upper raceway cover by tightening the same fasteners that were loosened in step 1.
4. Install angle brackets* to support the front shroud. The brackets will match up with holes on top of the shroud.
5. If applicable, position the electrical box so the controller display is clearly visible through the cutout in the front shroud. Secure the electrical box with the fasteners that mounted it to the case for shipping.

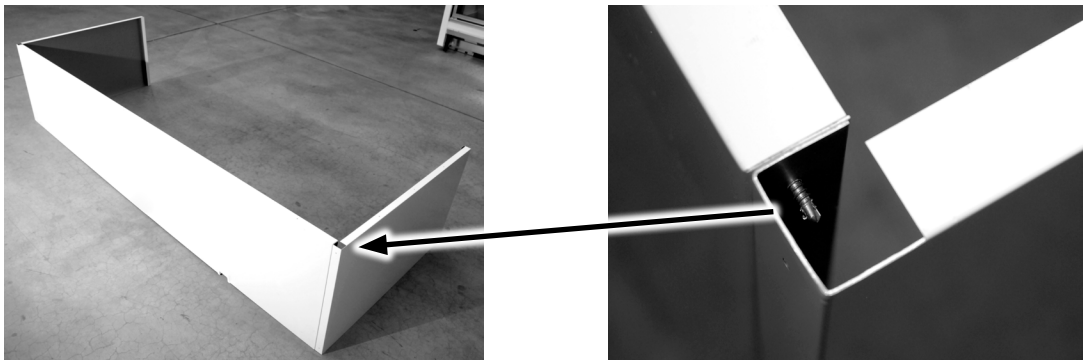
**No angle brackets on 5" tall shrouds; all taller shrouds receive angle brackets. See table for quantity.*



Case Size	Angle Brackets
1-Door	None
2-Door	None
3-Door	1 Bracket
4-Door	2 Brackets
5-Door	3 Brackets
6-Door	3 Brackets

SIDE SHROUD ASSEMBLY

1. Position side shroud perpendicular to the front shroud, on top of the end panel.
2. First, fasten the side shroud to the front shroud to ensure tight fit. Then, fasten the side shroud to the end panel using self-tapping screws.
3. Install 1 angle bracket to support the side shroud. The bracket will match up with a hole on top of the shroud.
4. Repeat steps 1-3 on top of the opposite end panel.



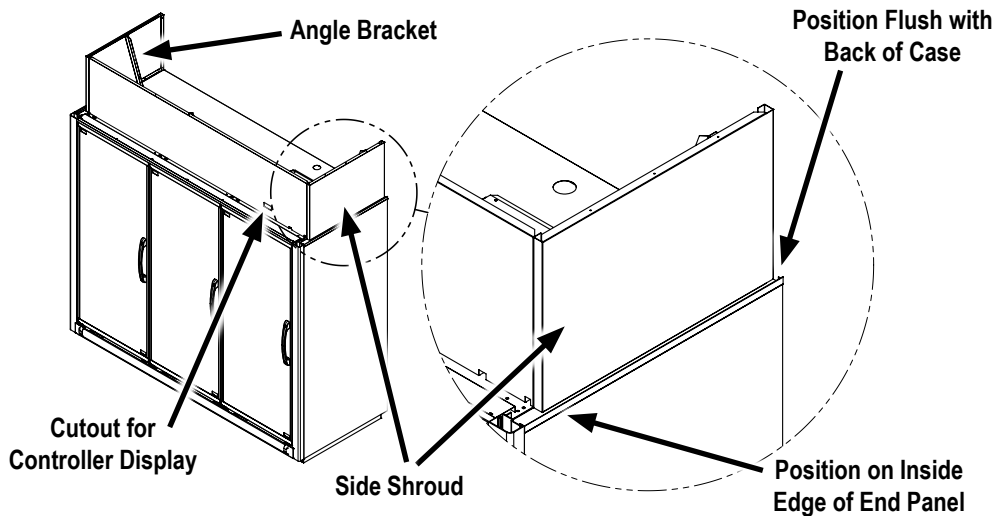
SHROUD INSTALLATION INSTRUCTIONS

Standard Shroud Assembly for Crystal Merchandiser® or Reveal Merchandiser®

For proper shroud installation on Crystal Merchandiser® or Reveal Merchandiser®, start with the side shrouds. This will help determine the correct position of the front shroud.

SIDE SHROUD ASSEMBLY

1. Position side shroud on top of the end panel, flush with the back of the case and on the inside edge of the end panel (see illustration).
2. Fasten the side shroud to the end panel using self-tapping screws.
3. Install 1 angle bracket to support the side shroud. The bracket will match up with a hole on top of the shroud.
4. Repeat steps 1-3 on top of the opposite end panel.

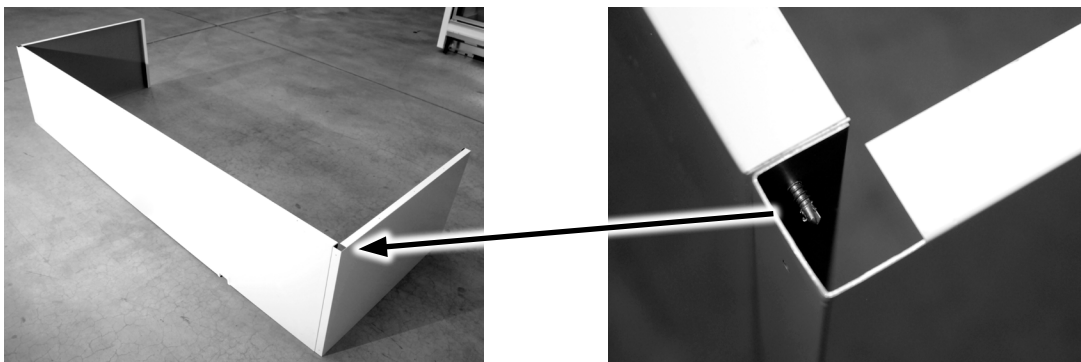


Case Size	Angle Brackets
1-Door	None
2-Door	None
3-Door	1 Bracket
4-Door	2 Brackets
5-Door	3 Brackets
6-Door	3 Brackets
4' Open	None
6' Open	1 Bracket
8' Open	2 Brackets
12' Open	3 Brackets

FRONT SHROUD ASSEMBLY

1. Position front shroud perpendicular to the side shrouds (parallel to the front of the case). Front shroud must be straight and even between the side shrouds. Note: Front shroud should be set 2" behind top trim piece.
2. First, fasten the front shroud to the side shroud to ensure tight fit. Then, fasten front shroud to case roof using self-tapping screws.
3. Install angle brackets* to support the front shroud. The brackets will match up with holes on top of the shroud.
4. If applicable, position the electrical box so the controller display is clearly visible through the cutout in the front shroud. Secure the electrical box with the fasteners that mounted it to the case for shipping.

**No angle brackets on 5" tall shrouds; all taller shrouds receive angle brackets. See table for quantity.*

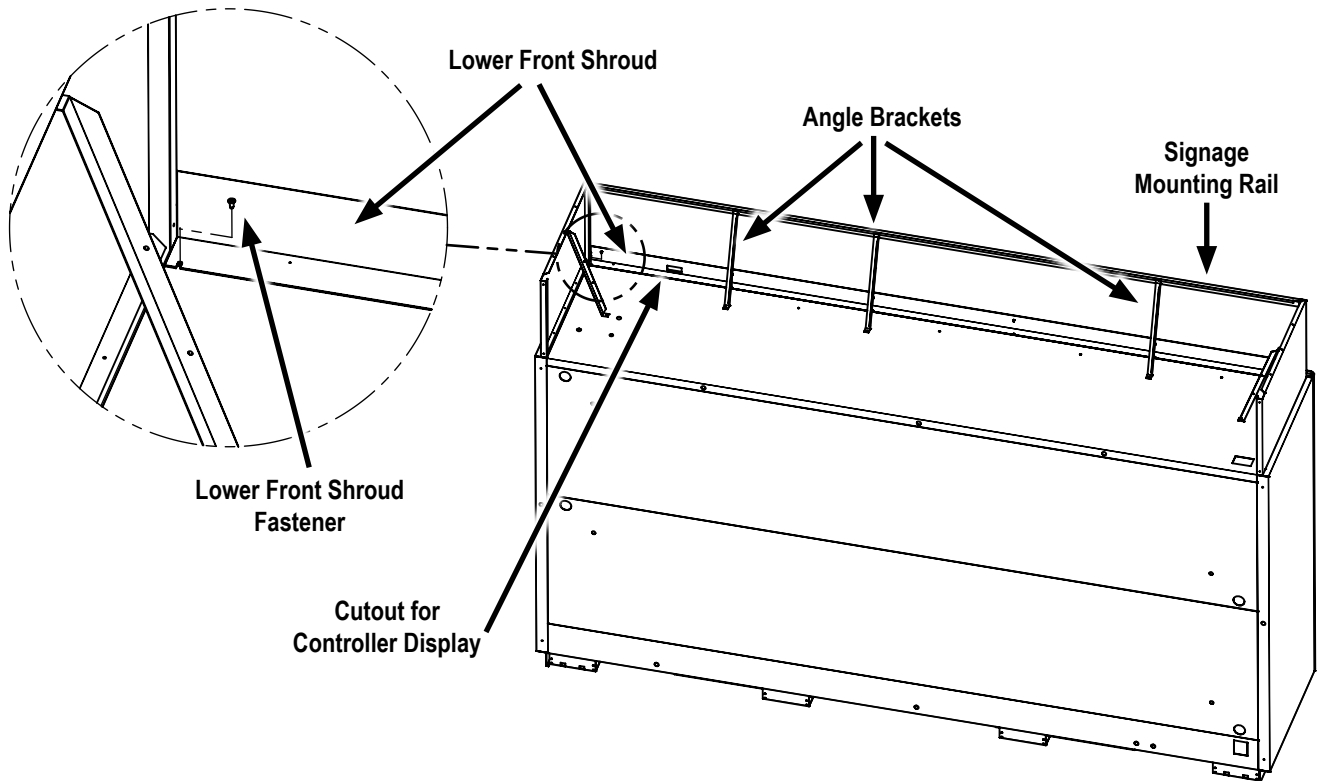


SHROUD INSTALLATION INSTRUCTIONS

Signage Shroud Assembly for Highlight Merchandiser®

Signage shrouds are only available for Highlight Merchandiser®. For assembling signage shrouds, follow similar steps as for standard shrouds.

1. Install the lower front shroud using the same steps as the standard front shroud. **Do not add angle brackets to lower front shroud.**
2. Install the side shroud using the same steps as the standard side shroud. Add 1 angle bracket to each side shroud.



SIGNAGE MOUNTING RAIL

1. Position the signage mounting rail above the lower front shroud and between the side shrouds.
2. Fasten the signage mounting rail to the top of the side shrouds.
3. Install angle brackets* to support the signage mounting rail. The brackets will match up with holes on top of the signage mounting rail.

*See table for quantity.

Case Size	Angle Brackets
1-Door	None
2-Door	None
3-Door	1 Bracket
4-Door	2 Brackets
5-Door	3 Brackets
6-Door	3 Brackets



SHROUD INSTALLATION INSTRUCTIONS

Standard Shroud Assembly for Case Lineup

For a lineup of Hybrid™ cases, side shrouds will be included between each cases to block warm air discharged from one condensing unit from entering the next condensing unit. For a lineup of remote cases, side shrouds may or may not be included.

LINEUPS WITH SIDE SHROUDS BETWEEN EACH CASE

Repeat case-specific instructions for front and side shroud installation. Fasten front shrouds to side shrouds.

LINEUPS WITHOUT SIDE SHROUDS BETWEEN CASES

Repeat case-specific instructions for only front shroud installation. Fasten adjacent front shrouds together.

Note: Make sure the front shrouds continue in a straight line. Do not position them forward or backward on the case.

Signage Shroud Assembly for Case Lineup

For a case lineup, a side shroud must be included between each case for installing the signage mounting rail. Install all lower front shrouds and side shrouds in the lineup before installing the signage mounting rails.

We recommend setting signage mounting rails on top of each case before continuing. Start at one end of the lineup and fasten the signage mounting rail to the first side shroud. Two signage mounting rails will be fastened to all other side shrouds until the end of the lineup.



Insulated Divider Shroud Piece

Insulated divider shroud pieces are installed above insulated dividers (between cases). Insulated divider shroud pieces are necessary to ensure proper spacing of front shrouds above cases.

LINEUPS WITH SIDE SHROUDS BETWEEN EACH CASE

Insert insulated divider shroud piece into the side shroud piece. Then, install the parts together between the front shrouds or signage mounting rails. Fasten to the adjacent front shrouds.

LINEUPS WITHOUT SIDE SHROUDS BETWEEN CASES

Install insulated divider shroud piece between the front shrouds. Fasten to the adjacent front shrouds.

Signage Mounting Rails or Front Shrouds

