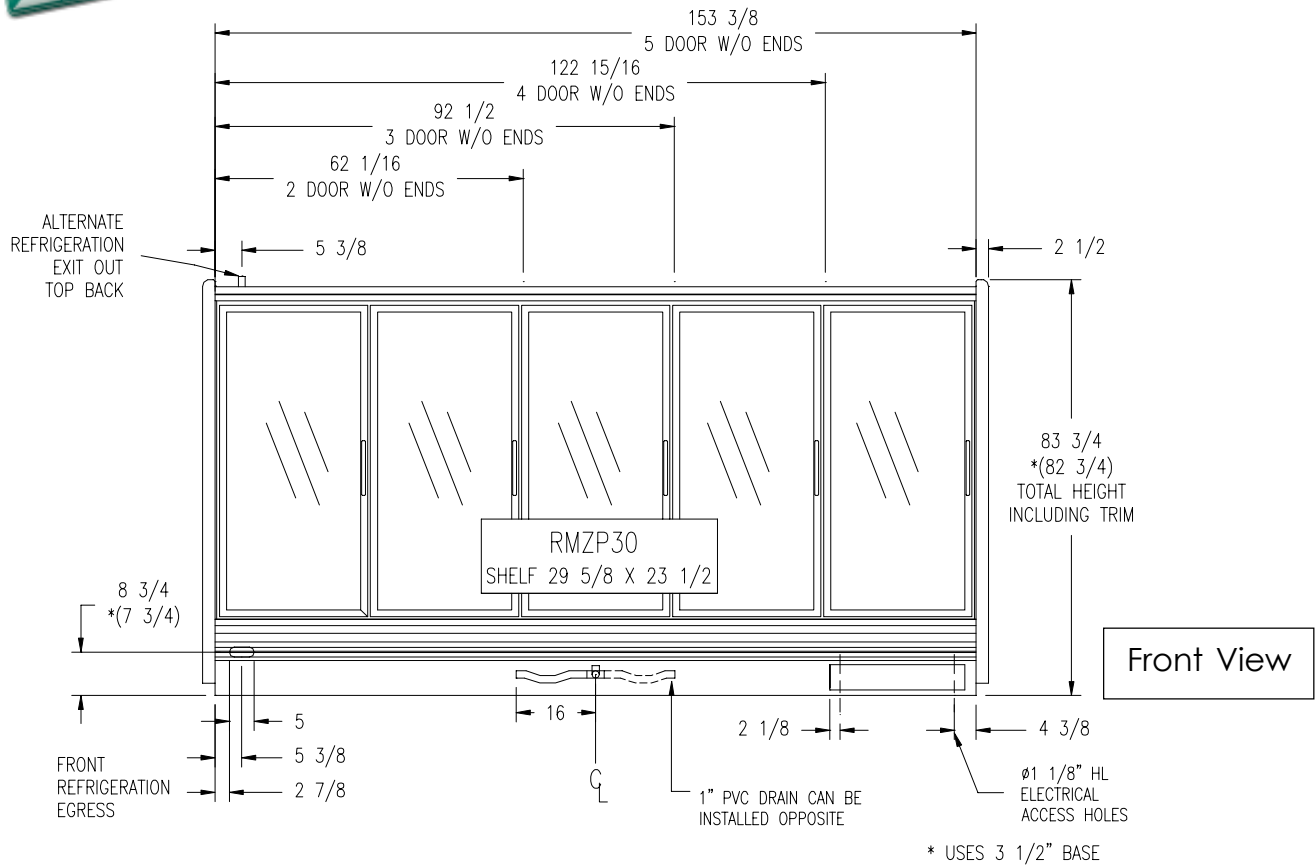
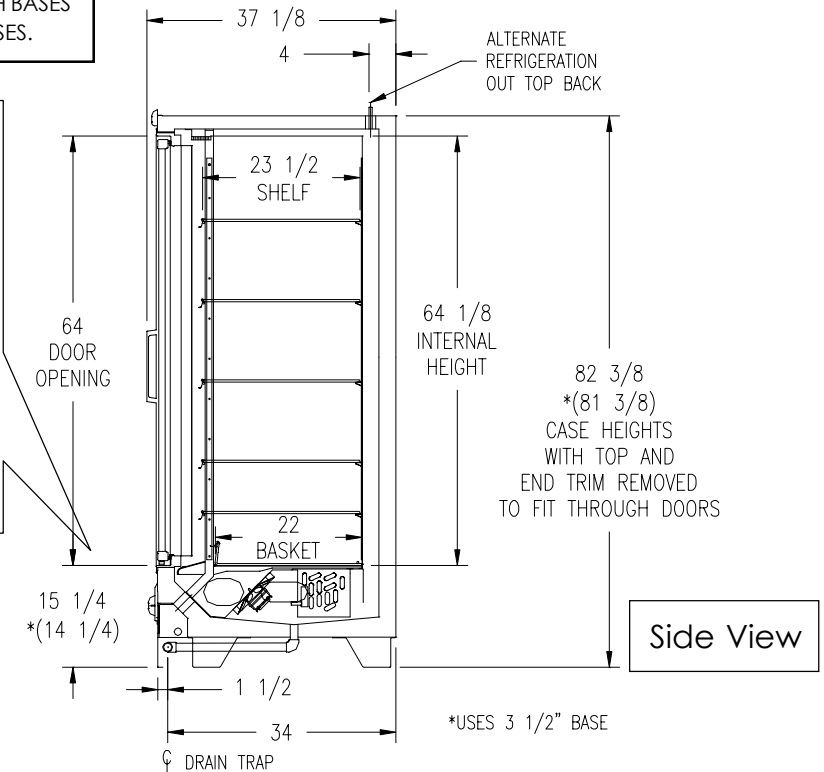
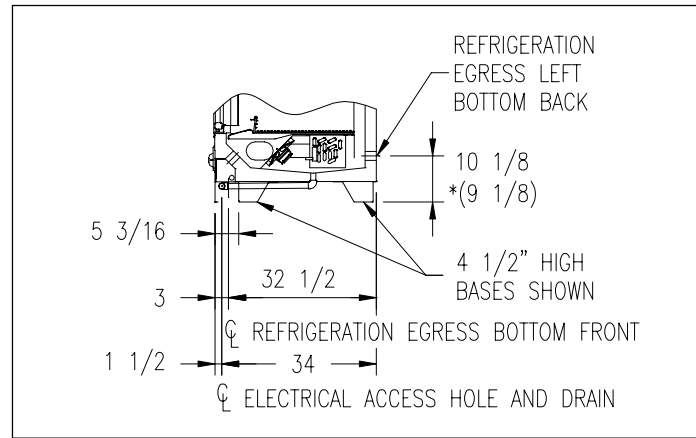




# RMZP30 SPECIFICATION SHEET



\* NOTE: CASE DIMENSIONS SHOWN REFLECT STANDARD 4-1/2" HIGH BASES  
DIMENSIONS SHOWN IN (PARENTHESIS) REFLECT 3-1/2" BASES.



Zero Zone, Inc. • 110 N. Oakridge Dr.  
North Prairie, WI 53153-9792  
1-800-247-4496 • FAX: 262-392-6450  
www.zero-zone.com

All specifications are subject to change without notice.



# RMZP30 SPECIFICATION SHEET

REFRIGERANT CONNECTIONS SIZES FOR ELECTRIC DEFROST			
MODEL NUMBER	SUCTION LINE O.D.	LIQUID LINE O.D.	SUCTION LINE O.D. FOR REFRIGERATION OUT TOP BACK
2RMZP30	7/8	3/8	5/8
3RMZP30	7/8	3/8	5/8
4RMZP30	7/8	3/8	7/8
5RMZP30	7/8	3/8	7/8

REFRIGERANT CONNECTIONS SIZES FOR HOT GAS DEFROST			
MODEL NUMBER	SUCTION LINE O.D.	LIQUID LINE O.D.	SUCTION LINE O.D. FOR REFRIGERATION OUT TOP BACK
2RMZP30	7/8	1/2	5/8
3RMZP30	7/8	1/2	5/8
4RMZP30	7/8	1/2	7/8
5RMZP30	7/8	1/2	7/8

ELECTRICAL SPECIFICATIONS BY DOOR MANUFACTURER							
MODEL NUMBER	FANS AMPS	T-8 LIGHTS AMPS	T-10 LIGHT AMPS ONE END	T-10 LIGHT AMPS BOTH END	ANTHONY ELM ANTI-SWEAT HEATERS	STANDARD ANTI-SWEAT HEATERS	DEFROST HEATER AMPS 208V/1/60HZ.
<b>ANTHONY DOORS</b>							
2RMZP30	0.68	1.45	1.50	2.25	2.23	4.42	6.73
3RMZP30	1.02	1.94	2.25	3.00	3.12	6.44	10.09
4RMZP30	1.36	2.42	3.00	3.75	4.05	8.32	13.46
5RMZP30	1.70	2.91	3.75	4.50	4.94	9.80	16.83
<b>ARDCO DOORS</b>							
2RMZP30	0.68	1.89	1.50	2.25	N/A	5.52	6.73
3RMZP30	1.02	2.34	2.25	3.00	N/A	7.83	10.09
4RMZP30	1.36	3.06	3.00	3.75	N/A	9.84	13.46
5RMZP30	1.70	3.51	3.75	4.50	N/A	12.05	16.83
SUBTRACT 0.19 AMPS PER DOOR FOR PSC FAN MOTORS *STANDARD FOR CASE IN A LINE-UP VOLTAGE: 115 VOLTS 1 PHASE 60 HZ.							

CAPACITY SPECIFICATIONS		
MODEL NUMBER	USABLE CUBIC FEET	VERTICAL SURFACE SQUARE FOOTAGE
2RMZP30	54	28
3RMZP30	81	41
4RMZP30	107	55
5RMZP30	134	68

CASE SIZE	WEIGHT IN POUNDS*
2RMZP30	721
3RMZP30	1,043
4RMZP30	1,406
5RMZP30	1,876
*WEIGHT BASED ON UNCRATED CASES WITHOUT ENDS, AND FULLY SHELVED. SINGLE END WEIGHT: 54 LBS.	

BTU/HR ENERGY REQUIREMENTS: FROZEN FOOD -11°F EVAPORATOR (-3°F AVERAGE PRODUCT TEMPERATURE) ICE CREAM -18°F EVAPORATOR (-10°F AVERAGE PRODUCT TEMPERATURE)			
MODEL NUMBER	BTU/HR @ -11°F	BTU/HR @ -18°F	BTU/HR RATING BASED ON T-8 LIGHTING & PARALLEL RACK SYSTEM. MULTIPLY BY 1.04 FOR CONVENTIONAL SYSTEM.
2RMZP30	3,140	3,390	ADD 30 BTU/HR PER DOOR FOR T-10 LIGHTING DEDUCT 57 BTU/HR/DOOR FOR PSC FAN MOTORS CASE DESIGNED TO OPERATE IN AN AMBIENT OF 75°F OR LOWER AND RELATIVE HUMIDITY OF 55% OR LOWER.
3RMZP30	4,540	4,920	
4RMZP30	5,890	6,390	
5RMZP30	7,340	7,970	
RMZP30 W/OPTIONAL ELM DOORS	FOR ELM AT -11°F DEDUCT 250 BTU/HR/DOOR	FOR ELM AT -18°F DEDUCT 295 BTU/HR/DOOR	

Zero Zone, Inc. • 110 N. Oakridge Dr.  
North Prairie, WI 53153-9792  
1-800-247-4496 • FAX: 262-392-6450  
www.zero-zone.com



All specifications are subject to change without notice.