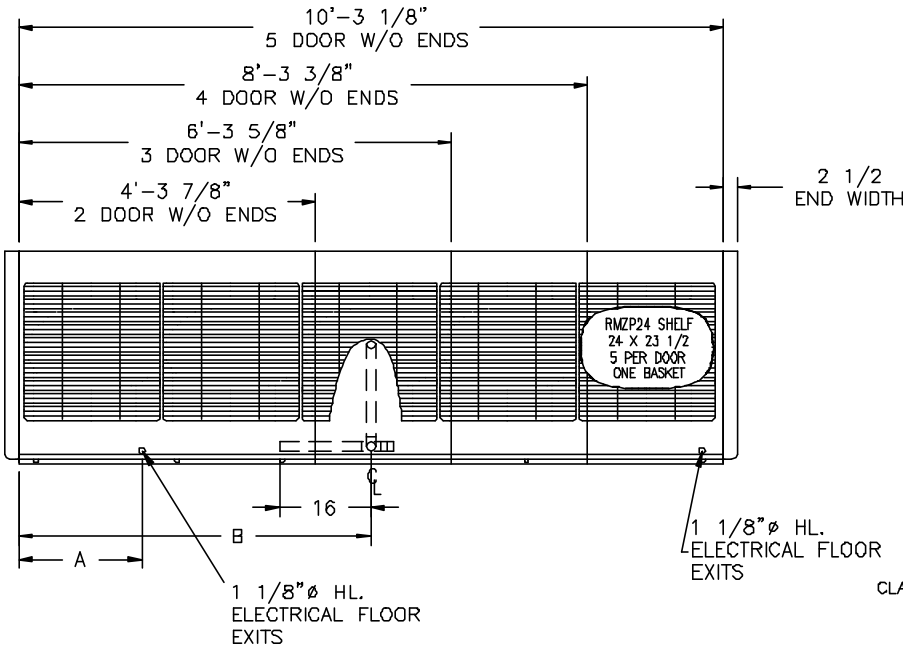
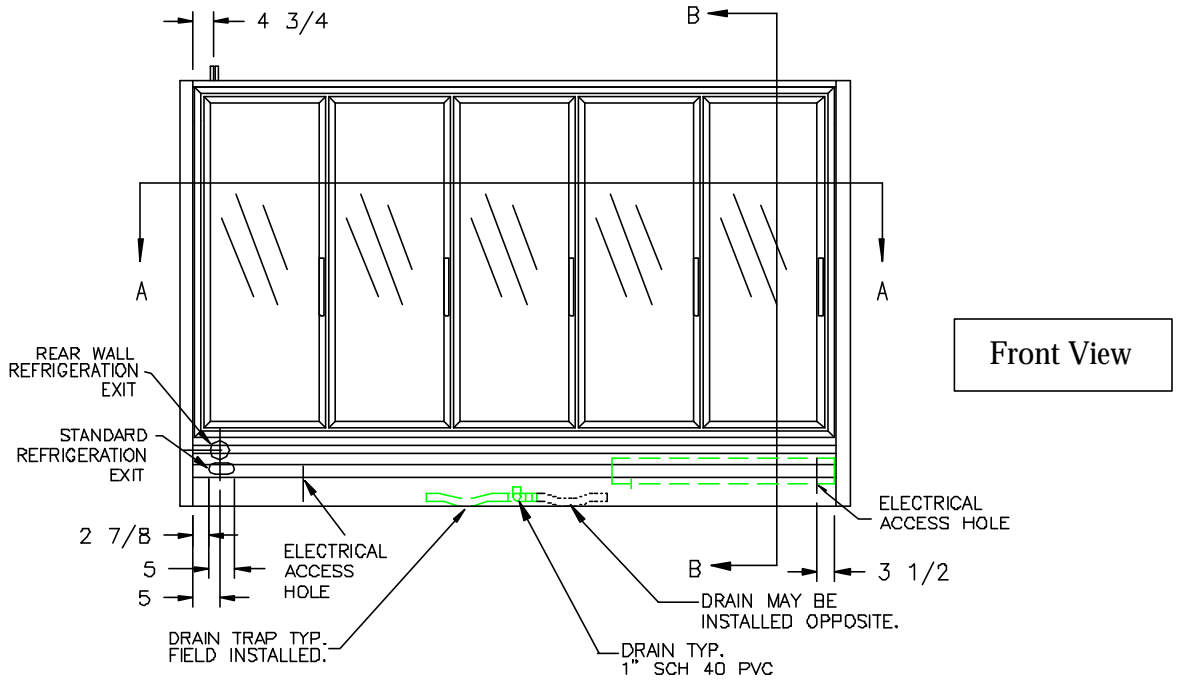
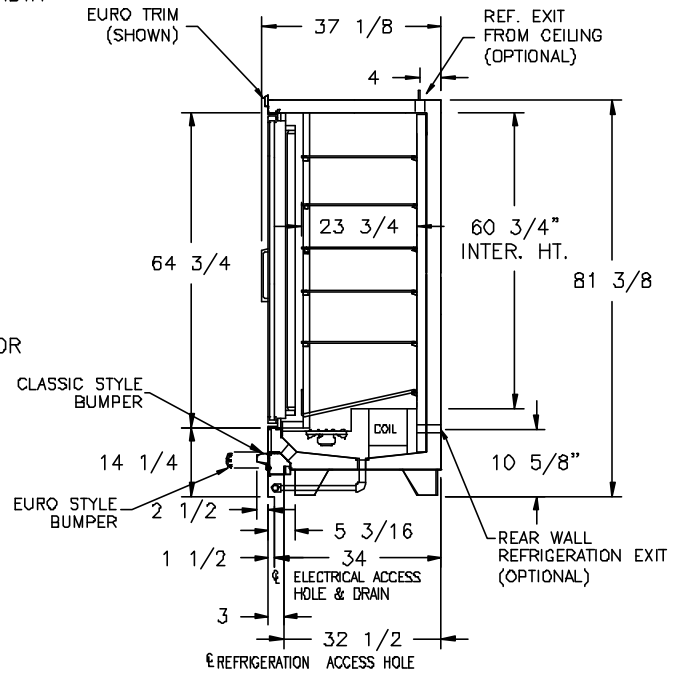




# RMZP24 SPECIFICATION SHEET



**Top View  
Shown in Section  
5RMZP24**



**Side View**

Zero Zone Inc. • 110 N. Oakridge Dr.  
North Prairie, WI 53153-9792  
1-800-247-4496 • FAX: 1-262-392-6450  
www.zero-zone.com

All specifications are subject to change without notice.



# RMZP24 SPECIFICATION SHEET

RMZP24 CAPACITY SPECIFICATIONS			
CASE SIZE	SHELVING 24 X 23 1/2"	CUBIC FEET CAPACITY	WEIGHT*
	NET SQ. FT.	NET CUBIC FT.	POUNDS
2	47.0	42.9	567
3	70.6	62.5	820
4	94.1	82.1	1073
5	117.6	101.7	1477
WEIGHT BASED ON UNCRATED CASES WITHOUT ENDS, AND FULLY SHELVED SINGLE END WEIGHT: 54#			

REFRIGERANT CONNECTIONS HOT GAS DEFROST			
MODEL	TOP SUCTION LINE O.D.	STANDARD BOTTOM SUCTION LINE O.D.	BOTTOM & TOP LIQUID LINE O.D.
2RMZP24	5/8	7/8	3/8
3RMZP24	7/8	7/8	3/8
4RMZP24	7/8	7/8	1/2
5RMZP24	1 1/8	1 1/8	1/2

REFRIGERANT CONNECTIONS ELECTRIC DEFROST			
MODEL	TOP SUCTION LINE O.D.	STANDARD BOTTOM SUCTION LINE O.D.	BOTTOM & TOP LIQUID LINE O.D.
2RMZP24	5/8	7/8	3/8
3RMZP24	7/8	7/8	3/8
4RMZP24	7/8	7/8	3/8
5RMZP24	1 1/8	1 1/8	3/8

ELECTRICAL SPECIFICATIONS FOR RMZP24 BY DOOR MANUFACTURER										
CASE MODEL NUMBER	FANS AMPS	(T-10) LIGHT AMPS ONE END*	(T-10) LIGHT AMPS BOTH ENDS	(T-8) LIGHT AMPS	STD. DOOR	MULLION	FRAME	FRAMELESS DOOR	TOTAL FRAME MULLION STD. DOOR	DEFROST HEATER AMPS 220V/1/60Hz.
<b>ANTHONY DOORS</b>										
2RMZP24	0.68	1.5	2.25	1.45	1.48	0.62	1.89	1.56	3.99	5.5
3RMZP24	1.02	2.25	3	1.94	2.22	1.24	2.25	2.34	5.71	8
4RMZP24	1.36	3	3.75	2.42	2.96	1.86	2.65	3.12	7.47	10
5RMZP24	1.7	3.75	4.5	2.91	3.7	2.48	3.1	3.9	9.28	12.5
<b>ARDCO DOORS</b>										
2RMZP24	0.68	1.65	2.4	1.89	1.7	1.12	1.9	1.7	4.72	5.5
3RMZP24	1.02	2.4	3.3	2.34	2.55	1.68	2.4	2.55	6.63	8
4RMZP24	1.36	3.3	4.05	3.06	3.4	2.24	2.7	3.4	8.34	10
5RMZP24	1.7	4.05	4.8	3.51	4.25	2.8	3.1	4.25	10.15	12.5
SUBTRACT 0.19 AMPS PER DOOR FOR PSC FAN MOTORS * STANDARD FOR CASE IN A LINE-UP VOLTAGE: 115 VOLTS 1 PHASE 60 HZ.										
BTU/HR ENERGY REQUIREMENTS: FROZEN FOOD -14°F EVAP. & ICE CREAM -20°F EVAP.										
# OF DOORS	BTU/HR @ -14°F	BTU/HR @ -20°F	BTU/HR RATING BASED ON 1500 MA. T-10 LIGHTING AND PARALLEL RACK SYSTEM. MULTIPLY BY 1.04 FOR CONVENTIONAL SYSTEM							
2	3375	3620	CASE DESIGNED TO OPERATE IN AN AMBIENT OF 75°F OR LOWER AND RELATIVE HUMIDITY OF 55% OR LOWER. DEDUCT 57 BTU/HR FOR PSC FAN MOTORS							
3	4455	4775								
4	5530	5930								
5	6625	7100								

Zero Zone Inc. • 110 N. Oakridge Dr.  
North Prairie, WI 53153-9792  
1-800-247-4496 • FAX: 1-262-392-6450  
www.zero-zone.com

All specifications are subject to change without notice.