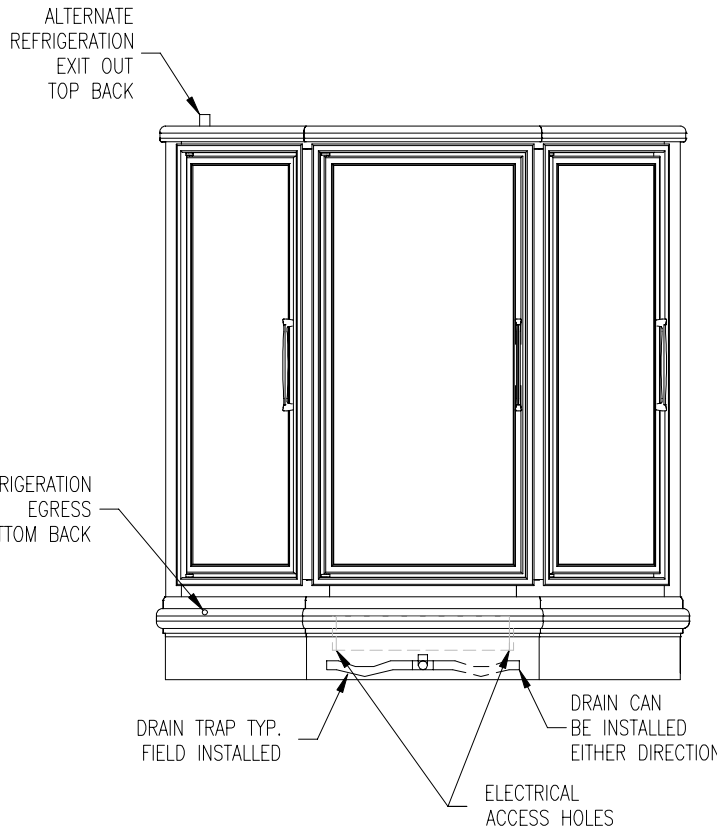
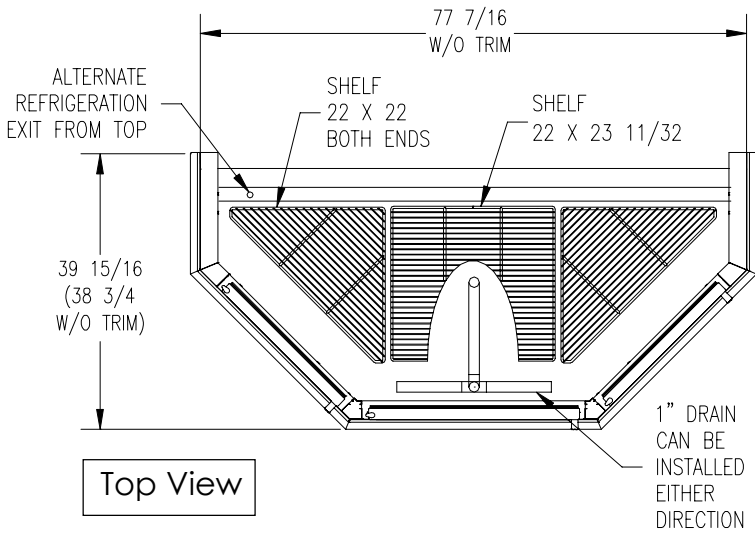




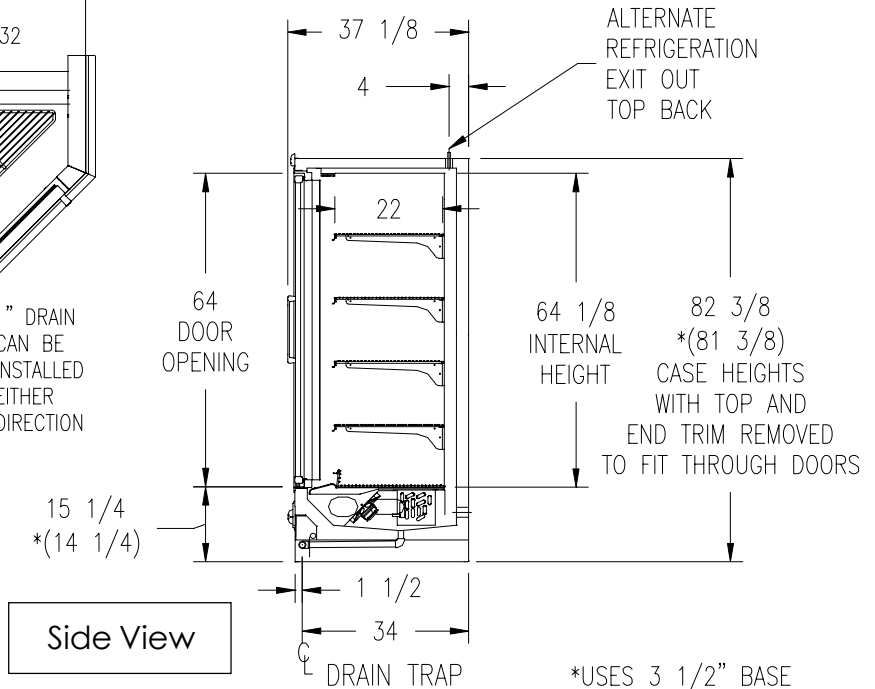
3RMZCWA SPECIFICATION SHEET



Front View



Top View



Side View

Zero Zone, Inc. • 110 N. Oakridge Dr.
 North Prairie, WI 53153-9792
 1-800-247-4496 • FAX: 1-262-392-6450
 www.zero-zone.com

All specifications are subject to change without notice.



3RMZCWA SPECIFICATION SHEET

REFRIGERANT CONNECTIONS SIZES FOR ELECTRIC DEFROST			
MODEL NUMBER	SUCTION LINE O.D.	LIQUID LINE O.D.	SUCTION LINE O.D. FOR REFRIGERATION OUT TOP BACK
3RMZCWA	7/8	3/8	5/8

REFRIGERANT CONNECTIONS SIZES FOR HOT GAS DEFROST			
MODEL NUMBER	SUCTION LINE O.D.	LIQUID LINE O.D.	SUCTION LINE O.D. FOR REFRIGERATION OUT TOP BACK
3RMZCWA	7/8	1/2	5/8

ELECTRICAL SPECS. BY DOOR MANUFACTURER					
MODEL NUMBER	FANS AMPS	T-8 LIGHTS AMPS	T-10 LIGHT AMPS	ANTI-SWEAT HEATERS	DEFROST HEATER AMPS 208V/1/60HZ.
ANTHONY DOORS					
3RMZCWA	1.02	2.91	3.00	5.60	8.0
SUBTRACT 0.57 AMPS FOR PSC FAN MOTORS VOLTAGE: 115 VOLTS 1 PHASE 60 HZ.					

CAPACITY & WEIGHT SPECIFICATIONS		
MODEL NUMBER	CAPACITIES	
	USABLE CUBIC FEET	VERTICAL SURFACE SQUARE FOOTAGE
3RMZCWA	39	38 (ESTIMATE)
	WEIGHT IN POUNDS*	
	920 (ESTIMATE)	
*WEIGHT BASED ON UNCRATED CASE FULLY SHELVED. SINGLE END WEIGHT: 54 POUNDS		

BTU/HR ENERGY REQUIREMENTS: FROZEN FOOD -11°F EVAPORATOR (-5°F AVERAGE PRODUCT TEMPERATURE) ICE CREAM -18°F EVAPORATOR (-12°F AVERAGE PRODUCT TEMPERATURE)			
MODEL NUMBER	BTU/HR @ -11°F	BTU/HR @ -18°F	BTU/HR RATING BASED ON T-8 LIGHTING AND PARALLEL RACK SYSTEM. MULTIPLY BY 1.04 FOR CONVENTIONAL SYSTEM.
3RMZCWA	4,840	5,220	ADD 150 BTU/HR FOR T-10 LIGHTING CASE DESIGNED TO OPERATE IN AN AMBIENT OF 75°F OR AND RELATIVE HUMIDITY OF 55% OR LOWER. DEDUCT 170 BTU/HR FOR PSC FAN MOTORS

Zero Zone, Inc. • 110 N. Oakridge Dr.
North Prairie, WI 53153-9792
1-800-247-4496 • FAX: 1-262-392-6450
www.zero-zone.com



All specifications are subject to change without notice.