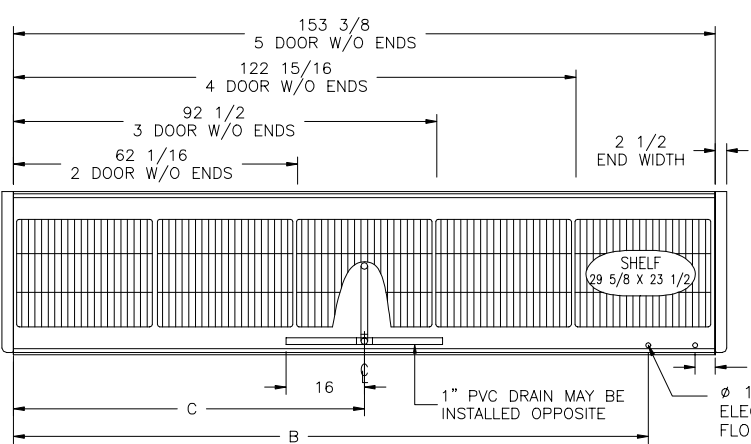
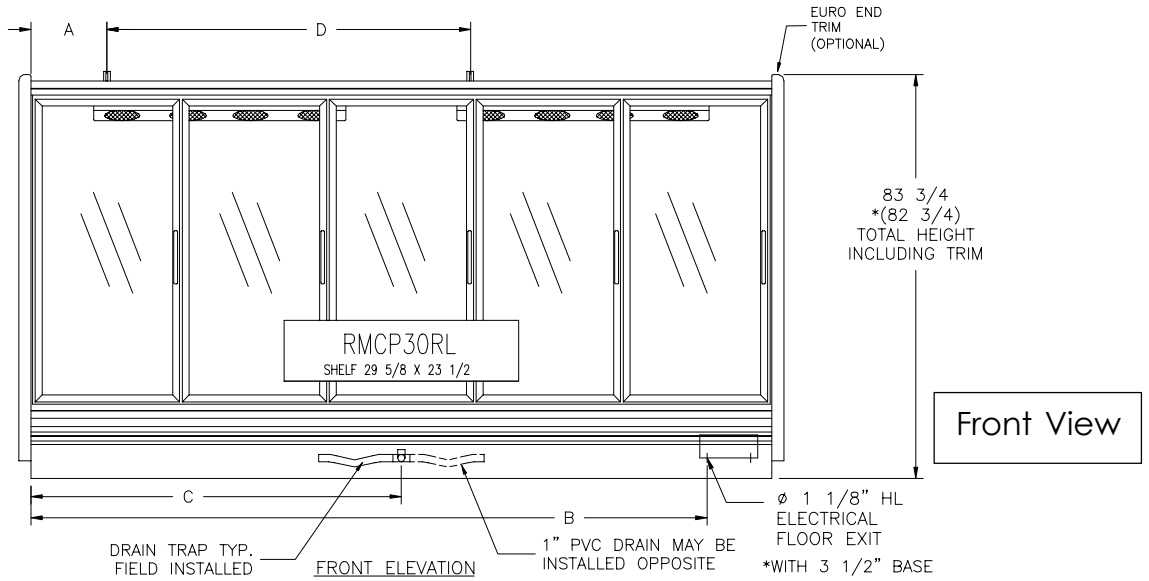
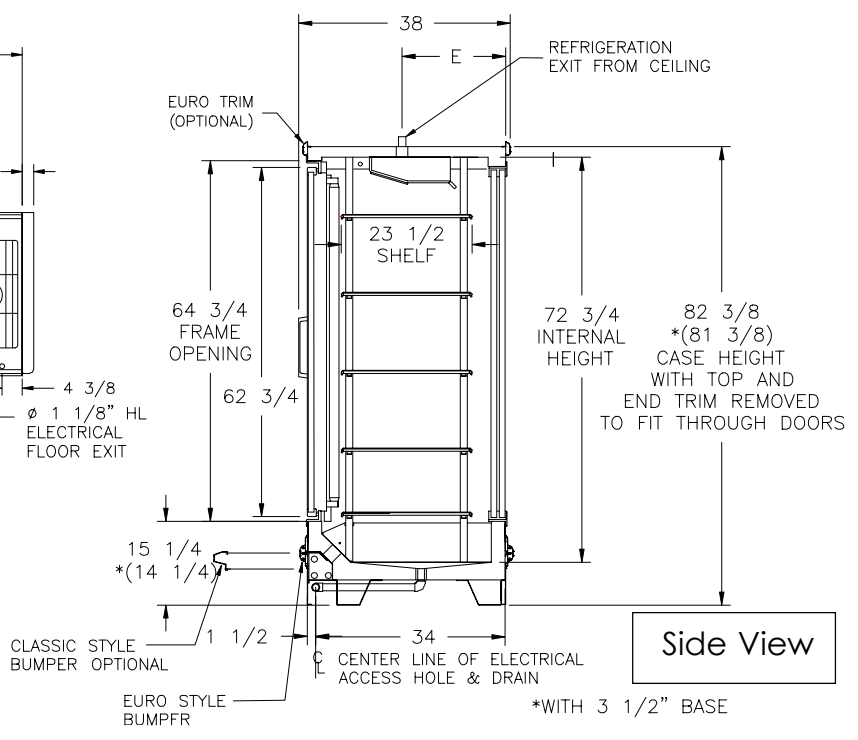




# RMCP30RL SPECIFICATION SHEET



Top View  
Shown in Section  
5RMCP30RL



Side View

\* NOTE: CASE DIMENSIONS SHOWN REFLECT STANDARD 4-1/2" HIGH BASES  
DIMENSIONS SHOWN IN (PARENTHESIS) REFLECT 3-1/2" BASES.

Zero Zone, Inc. • 110 N. Oakridge Dr.  
North Prairie, WI 53153-9792  
1-800-247-4496 • FAX: 1-262-392-6450  
www.zero-zone.com

All specifications are subject to change without notice.



# RMCP30RL SPECIFICATION SHEET

ELECTRICAL CONNECTION (B) & DRAIN (C) LOCATION SCHEDULE		
MODEL NUMBER	B	C
2RMCP30RL	48 5/8	31
3RMCP30RL	79 1/16	46 1/4
4RMCP30RL	109 1/2	61 1/2
5RMCP30RL	139 15/16	76 11/16

RMCP30RL CAPACITY SPECIFICATIONS			
CASE SIZE	SHELVING 29-5/8X 23-1/2"	CUBIC FEET CAPACITIES	WEIGHT*
	GROSS SQ. FT.	GROSS CUBIC FT.	POUNDS
2	48.3	59.6	575
3	72.5	88.8	873
4	96.6	118.1	1128
5	120.8	147.3	1440

WEIGHT BASED ON UNCRATED CASES WITHOUT ENDS, AND FULLY SHELVED.  
SINGLE END WEIGHT: 54#

MODEL NUMBER	A	D	E	CONNECTIONS	
				INLET	SUCTION
2RMCP30RL	13 11/16	-	18 5/8	3/8 OD	5/8 OD
3RMCP30RL	21 7/8	-	18 1/2	3/8 OD	5/8 OD
4RMCP30RL	37 1/16	-	17 3/8	3/8 OD	5/8 OD
5RMCP30RL	25 11/16	67 3/8	18 5/8	3/8 OD	5/8 OD

ELECTRICAL SPECIFICATIONS BY DOOR MANUFACTURER									
MODEL NUMBER	FANS AMPS	T-12 LIGHT AMPS ONE END*	T-12 LIGHT AMPS BOTH ENDS	T-8 LIGHT AMPS	STD. DOOR	MULLION	FRAME	TOTAL OF REAR DOORS AND REAR FRAME	TOTAL FRAME MULLION STD. DOOR
<b>ANTHONY DOORS</b>									
2RMCP30RL	2.4	1.65	2.4	1.45	0.72	0.43	0.95	1.23	3.33
3RMCP30RL	3.2	2.4	3.3	1.94	1.08	0.86	1.12	1.71	4.77
4RMCP30RL	4	3.3	4.05	2.42	1.44	1.29	1.18	2.46	6.37
5RMCP30RL	4.8	4.05	4.8	2.91	1.8	1.72	1.41	2.91	7.84
<b>ARDCO DOORS</b>									
2RMCP30RL	2.4	1.65	2.4	1.89	0.26	0.54	0.36	0	1.16
3RMCP30RL	3.2	2.4	3.3	2.34	0.39	0.81	0.44	0	1.64
4RMCP30RL	4	3.3	4.05	3.06	0.52	1.08	0.53	0	2.13
5RMCP30RL	4.8	4.05	4.8	3.51	0.65	1.35	0.6	0	2.6
* STANDARD FOR CASE IN A LINE-UP									
VOLTAGE: 115 VOLTS 1 PHASE 60 HZ.									
BTU/HR ENERGY REQUIREMENTS: FOR PRODUCT TEMPERATURE OF 37°F TO 41°F WITH 20°F EVAPORATOR									
# OF DOORS	BTU/HR	BTU/HR RATING BASED ON 800 MA T-12 LIGHTING AND PARALLEL							
2	2735	CASE DESIGNED TO OPERATE IN AN AMBIENT OF 75°F OR LOWER AND RELATIVE HUMIDITY OF 55% OR LOWER. RATINGS ARE FOR A CASE ATTACHED TO A WALK IN COOLER. FOR OTHER APPLICATIONS PLEASE CONSULT THE FACTORY							
3	3705								
4	4650								
5	5625								

Zero Zone, Inc. • 110 N. Oakridge Dr.  
North Prairie, WI 53153-9792  
1-800-247-4496 • FAX: 1-262-392-6450  
www.zero-zone.com



All specifications are subject to change without notice.