



Highlight Merchandiser® RHZC30T & RHZC30TBB Tall Specs

Low Temp Tall Reach-Ins with 30" x 73" CoolView® Envision® Doors

RHZC30TBB: T=Tall; BB=Back-to-Back

Refrigeration Data

| | Lineup Data | | Individual Case Data (Includes 1 Pair of End Panels) | | | | | | | |
|---|--------------|-----------|--|-------|--------|-------|--------|-------|--------|-------|
| | Per Door Avg | | 2-Door | | 3-Door | | 4-Door | | 5-Door | |
| | FF | IC | FF | IC | FF | IC | FF | IC | FF | IC |
| Refrigeration | | | | | | | | | | |
| Evaporator Temperature (°F) ¹ | -7 | -16 | -7 | -16 | -7 | -16 | -7 | -16 | -7 | -16 |
| Baseline Btu/h ^{2,3} | 950 | 1,035 | 2,080 | 2,250 | 3,030 | 3,290 | 3,980 | 4,320 | 4,920 | 5,370 |
| Discharge Air Temperature (°F) (w/ 8°F Superheat) | -3 | -12 | -3 | -12 | -3 | -12 | -3 | -12 | -3 | -12 |
| Btu/h Deducts | FF | IC | | | | | | | | |
| Back-to-Back (RHZC30TBB) | -75 | -85 | | | | | | | | |
| Solid Doors | -70 | -70 | | | | | | | | |
| Btu/h Adders | FF | IC | | | | | | | | |
| Optional Glass Windowed End Panel (Each) | 315 | 350 | | | | | | | | |
| Anti-Sweat High Humidity Package | 90 | 90 | | | | | | | | |

Electrical & Energy Data ⁴

| | Lineup Data | | Individual Case Data (Includes 1 Pair of End Panels) | | | | | | | |
|--|--------------|--------------|--|--------------|-------------|--------------|-------------|--------------|-------------|--------------|
| | Per Door Avg | | 2-Door | | 3-Door | | 4-Door | | 5-Door | |
| | Amps | Watts | Amps | Watts | Amps | Watts | Amps | Watts | Amps | Watts |
| Fan Motors (115V) ⁵ | | | | | | | | | | |
| High Efficiency Electronic (ECM or SSC) | 0.30 | 23 | 0.60 | 46 | 0.90 | 69 | 1.20 | 92 | 1.50 | 115 |
| Lighting System (120V) | Amps | Watts | Amps | Watts | Amps | Watts | Amps | Watts | Amps | Watts |
| LED Lighting (Zero Zone ChillBrite 5) | 0.16 | 19 | 0.32 | 38 | 0.48 | 58 | 0.64 | 77 | 0.79 | 96 |
| Anti-Sweat Heat (115V) ⁶ | Amps | Watts | Amps | Watts | Amps | Watts | Amps | Watts | Amps | Watts |
| Standard-Energy Doors (Zero Zone CoolView Envision) | 0.75 | 86 | 1.52 | 175 | 2.26 | 260 | 3.01 | 346 | 3.75 | 431 |
| High Humidity Package (Zero Zone CoolView Envision) ⁷ | 1.06 | 121 | 2.14 | 246 | 3.19 | 366 | 4.23 | 487 | 5.28 | 607 |
| Solid Doors (Zero Zone CoolView Envision) | 0.52 | 60 | 1.05 | 121 | 1.56 | 179 | 2.06 | 237 | 2.57 | 296 |
| Defrost Heaters ^{8,9} | Amps | Watts | Amps | Watts | Amps | Watts | Amps | Watts | Amps | Watts |
| Single Phase (208V/1/60Hz) | 4.00 | 832 | 8.00 | 1,680 | 12.00 | 2,496 | 16.00 | 3,328 | 20.00 | 4,160 |
| Three Phase (208V/3/60Hz) | 2.31 | 832 | 4.66 | 1,680 | 6.93 | 2,496 | 9.23 | 3,328 | 11.55 | 4,160 |

Physical Data

| | Outlet Size (in.) | | | |
|---|-------------------|--------|--------|--------|
| | 2-Door | 3-Door | 4-Door | 5-Door |
| Refrigeration Piping ¹⁰ | | | | |
| Suction Line O.D. (Standard Refrigeration Exit) | 7/8 | 7/8 | 7/8 | 7/8 |
| Suction Line O.D. (Top Refrigeration Exit) | 1/2 | 5/8 | 5/8 | 5/8 |
| Liquid Line O.D. (Electric Defrost) | 3/8 | 3/8 | 3/8 | 3/8 |
| Liquid Line O.D. (Hot Gas Defrost) | 1/2 | 1/2 | 1/2 | 1/2 |

| Case Calculations | Solid End Panel | Windowed End | 2-Door | 3-Door | 4-Door | 5-Door |
|---|-----------------|--------------|--------|--------|--------|--------|
| Facings (ft. ²) | N/A | N/A | 30.0 | 44.6 | 59.3 | 74.0 |
| Packout (ft. ³) 22" Shelves | N/A | N/A | 55.0 | 81.8 | 108.8 | 135.7 |
| Packout (ft. ³) 24" Shelves | N/A | N/A | 60.0 | 89.3 | 118.7 | 148.0 |
| Weight (lbs.) RHZC30T | 30 | 55 | 755 | 1,055 | 1,420 | 1,800 |
| Weight (lbs.) RHZC30TBB | 60 | 110 | N/A | 2,105 | 2,840 | 3,595 |

Notes:

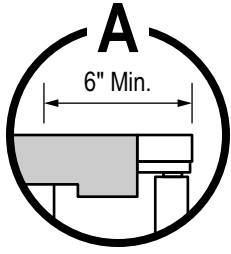
- For high-glide refrigerants, use dew point for unit sizing. Adjust evaporator pressure as needed to maintain discharge air temperatures.
- Baseline Evaporator Btu/h based on parallel rack system, LED lighting (Zero Zone ChillBrite®), standard-energy doors (Zero Zone CoolView® Envision®), and ECM or SSC electronic fan motors.
- For condensing units (non-rack system), multiply total Btu/h rating by 1.06.
- Amps are based on electrical nameplate values. Watts are based on laboratory observations of actual energy use.
- One fan motor per door.
- Door (Anti-Sweat) Options: standard-energy and high humidity package = heated glass and heated rails; solid doors = heated rails. All options include mullion and sill heat.
- Anti-Sweat Controller required for the high humidity package to comply with DOE energy requirements.
- Electric Defrost: 1 per day. Defrost termination temperature setting is 50°F. Failsafe time is 55 minutes. Refer to the Installation & Operation Manual for details.
- Hot Gas Defrost: 1 per day. Defrost termination temperature setting is 65°F. Failsafe time is 30 minutes. Refer to the Installation & Operation Manual for details.
- Individual risers for circuits of more than one case require refrigeration line sizing by Zero Zone.



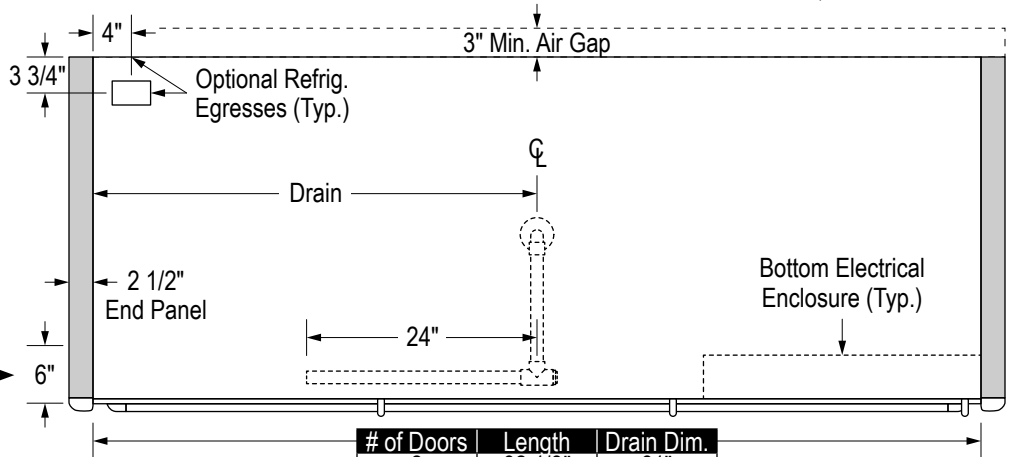
Highlight Merchandiser® RHZC30T & RHZC30TBB Tall Specs

Low Temp Tall Reach-Ins with 30" x 73" CoolView® Envision® Doors

RHZC30TBB: T=Tall; BB=Back-to-Back

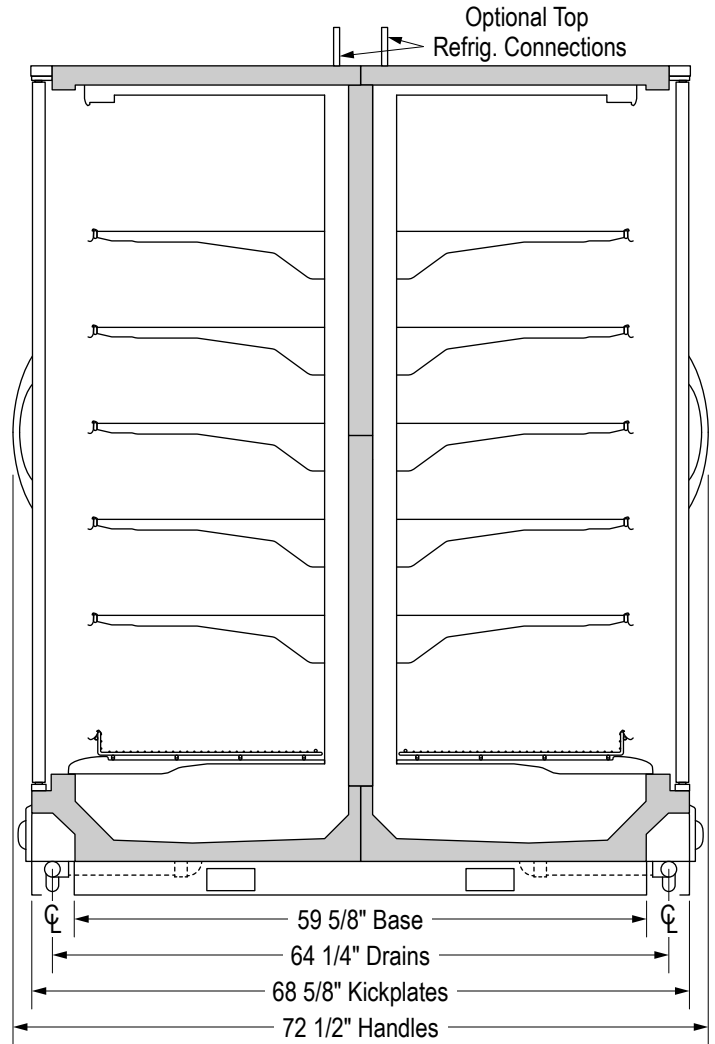
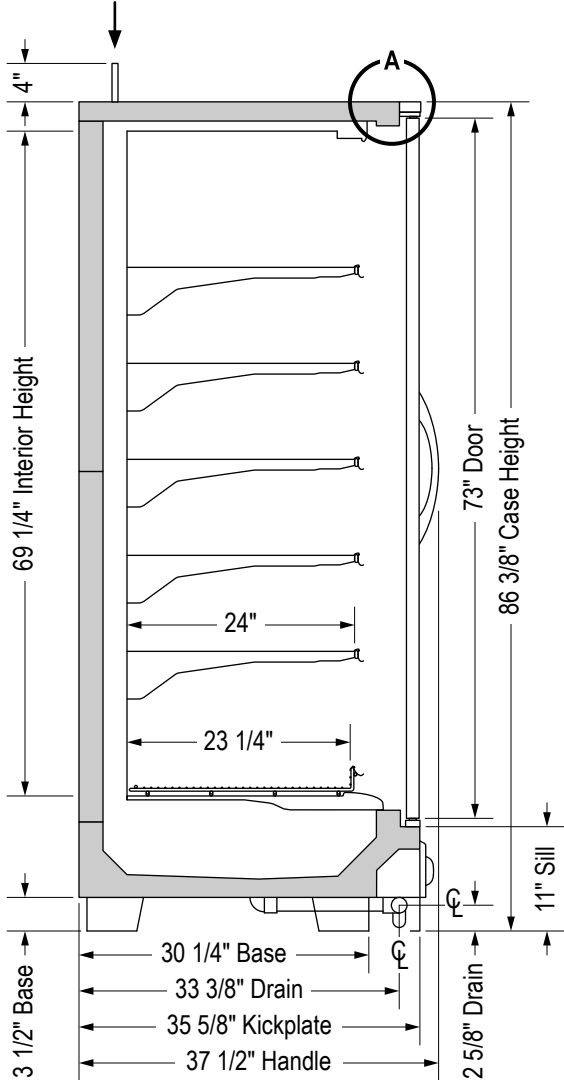


Building soffits must be set back at least 6" from the front of the doors to allow access to electrical wiring on the top of the case.



| # of Doors | Length | Drain Dim. |
|------------|----------|------------|
| 2 | 62 1/8" | 31" |
| 3 | 92 1/2" | 46 1/4" |
| 4 | 123" | 61 1/2" |
| 5 | 153 3/8" | 76 3/4" |

Optional top refrigeration connection increases case height by up to 4".



SS-44-E

Specifications are subject to change without notice. All dimensions are nominal.
Case designed to operate in an ambient temperature of 75°F and relative humidity of 55% or lower.

2/2/2021



Zero Zone, Inc.
800-247-4496 • www.zero-zone.com
© 2021 Zero Zone, Inc.

