

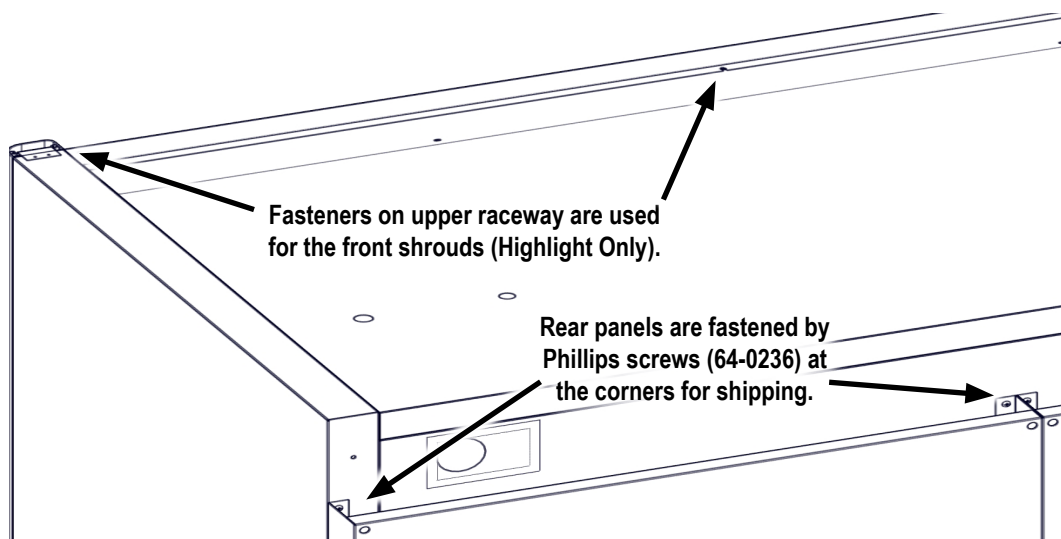
REAR PANEL & SHROUD INSTALLATION

Instructions for installing rear panels and rear shrouds on the back of a Zero Zone display case. Rear panels will be shipped on the display case. Rear panels must be removed to complete case piping and then reinstalled.

Part Number	Description	Quantity
37-0491	Rear Panels	1 Per Door
70-0913	Rear Shroud	1 Per Case
64-0207	#8-18 x 1/2" Hex Screw	4 Per Rear Panel 6 Per Rear Shroud
64-0236	#8-32 x 5/8" Phillips Screw	4 Per Rear Panel
64-0527-P1	1/2" Hole Plug (9/16" Head)	1 Per Fastener

1. Rear panel(s) (37-0491) will be fastened at the corners by Phillips screws (64-0236) for shipping and must be removed to complete case piping (See **Figure 1**). Keep track of the order that the rear panel(s) are removed as they will need to be reinstalled in the same order (See **Figure 2 on page 2**).
2. Complete case piping, leveling, and installation. If the case will be set against a wall, the rear panels will need to be installed before moving the case into position and leveling it, so install any components (such as piping) that will need to go underneath the rear panels.
3. Install front and side shrouds (See **Figure 2 on page 2**). For complete shroud installation instructions, refer to the **Hybrid Merchandiser™ Installation & Operation Manual (66-0034)** available online at www.zero-zone.com/technical-resources/.
 - a. Highlight Merchandiser®: Remove the fasteners on the upper raceway and install the front shroud onto the upper raceway using those screws (See **Figure 1**). Install angle brackets to support the front shroud. Position the side shrouds on top of the end panels and fasten to the front shroud. Then fasten the side shrouds to the end panels and install angle brackets to support them.
 - b. Crystal Merchandiser®: Position the side shrouds on top of the end panels and flush with the back of the case. Fasten them to the end panels and install angle brackets to support them. Position the front shroud in front of the side shrouds and fasten the front shroud to the side shrouds first and to the case roof second. Install angle brackets to support the front shroud.
 - c. Reveal Hybrid: Install Offset rear shroud first, then remaining shrouds.

FIGURE 1: Case Shipped with Rear Panels



REAR PANEL & SHROUD INSTALLATION

4. Mount the left-most rear panel. Reuse the 4 Phillips screws (64-0236) at the corners and use 4 hex screws (64-0207) along the sides. The panel should be flush with the outer edge of the end panel and the bottom of the display case (See Figure 3).
5. Mount the other rear panels, if applicable, next to the first one in the same order as they were shipped.
6. Use 6 hex screws (64-0207) to fasten the rear shroud to the holes in the back of the side shrouds. The rear shroud is designed to overhang the back of the display case and rest on top of the rear panels (See Figure 4).
7. To complete the assembly, insert the plastic hole plugs (64-0527) into the holes in the rear panels (8 each) and rear shroud (6 each) (See Figure 4).

FIGURE 2: Shrouds Installed, Panels Exploded View

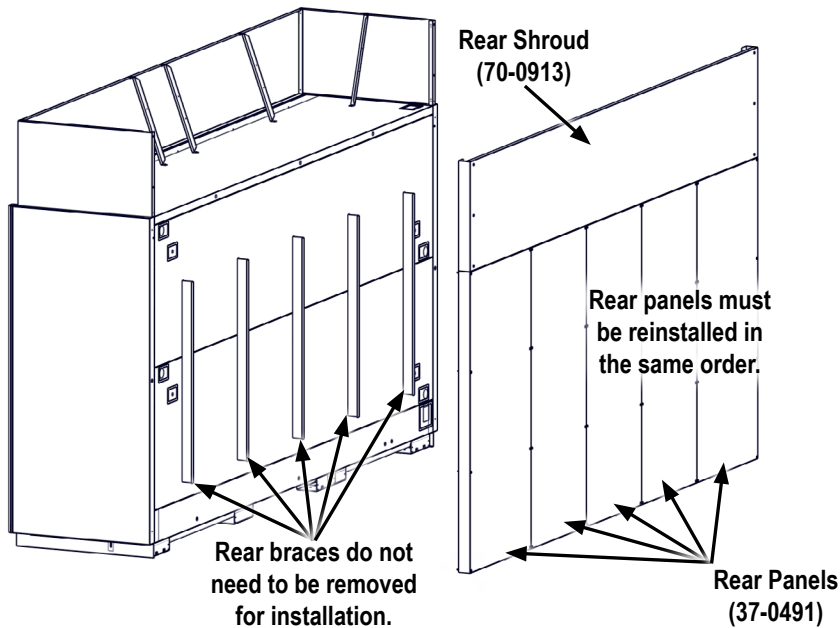


FIGURE 3: Left-Most Panel Mounted

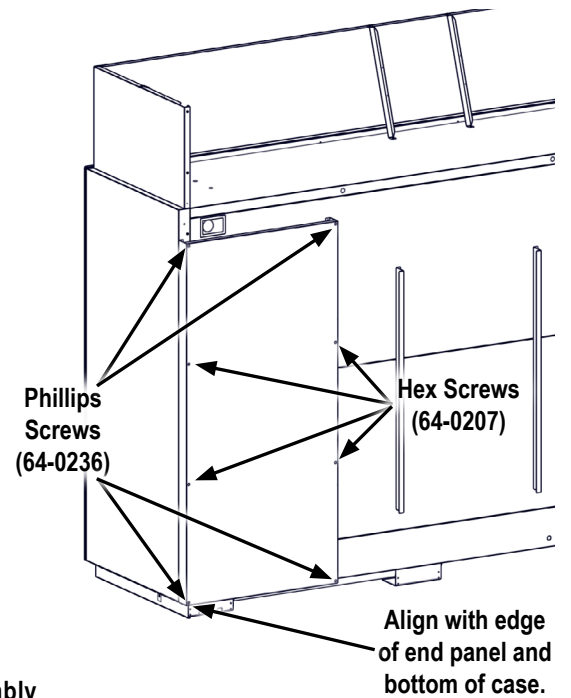


FIGURE 4: Completed Assembly

