

AUXILIARY TOE-KICK FAN INSTALLATION

Instructions for installing auxiliary fan kits with the kickplate onto the Zero Zone Crystal Merchandiser® (Page 1), fan kit part number 62-0856, and Reveal Merchandiser® (Page 2), fan kit part number 62-0867, display cases. See 66-0131 for instructions for the auxiliary fan kits that install on top of the display case. This fan kit is part of a ventilation system that circulates air behind and under the display case. This ventilation system also includes filler panels between case ends and store walls. All components must be installed for these auxiliary fans to function as intended.

Note: The Crystal Merchandiser® and Reveal Merchandiser® toe-kick fans are not interchangeable.

CRYSTAL MERCHANDISER® (RVMC/RVLC) TOE-KICK FAN INSTALLATION

Note: The toe-kick fans are pre-assembled to the kickplate that is shipped with the case.

Note: See Figure 1 for a visual reference.

1. Seismic equipped cases require the removal of the bumper. Remove the bumper on seismic equipped cases.
2. Attach the Tinnerman clips at each base for standard cases. The Tinnerman clips attach to the kickplate support bracket on seismic equipped cases.

Note: The side kickplate and front kickplate with toe-kick fans will be mounted using the same Tinnerman clips.

3. Connect the 3-pin extension cord into the electrical box on the top of the case.
4. Route the extension cord behind the case down the center.

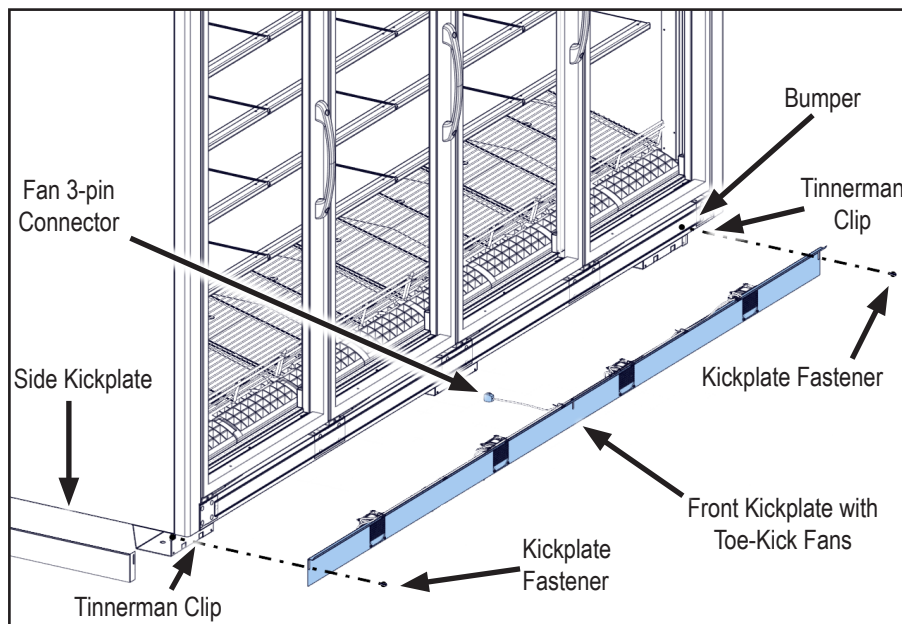
Note: The extension cord will not reach the connector on the kickplate if it does not get routed down the center of the case.

5. Position the side kickplate or kickplate splice (if applicable).
6. Place the front kickplate facedown in front of and at the base of the display case.
 - a. Connect the toe-kick fan three pin connector to the extension cord socket.

CAUTION! THE WIRE HARNESS CAN BECOME DAMAGED IF LOOSE WIRES ARE NOT SECURED. ENSURE THE WIRES ARE SECURED ALONG THEIR LENGTH.

7. Tilt the front kickplate into position.
8. Insert fasteners to secure the front and side kickplate or kickplate splice (if applicable) to the Tinnerman clips. The kickplate mounts to the support bracket on the flush-mount design.
9. Reinstall the bumper if it was removed in Step 1.

FIGURE 1: Install Kickplate with Toe-Kick Fans



AUXILIARY TOE-KICK FAN INSTALLATION

Instructions for installing auxiliary fan kits with the kickplate onto the Zero Zone Crystal Merchandiser® (Page 1), fan kit part number 62-0856, and Reveal Merchandiser® (Page 2), fan kit part number 62-0867, display cases. See 66-0131 for instructions for the auxiliary fan kits that install on top of the display case. This fan kit is part of a ventilation system that circulates air behind and under the display case. This ventilation system also includes filler panels between case ends and store walls. All components must be installed for these auxiliary fans to function as intended.

Note: The Crystal Merchandiser® and Reveal Merchandiser® toe-kick fans are not interchangeable.

REVEAL MERCHANDISER® (ORMC) TOE-KICK FAN INSTALLATION

The toe-kick fans are preassembled to the kickplate that is shipped with the case.

1. The bumper does not need to be removed, and the electrical outlet is factory installed to the bottom of the case (See Figure 2).
2. Plug the power cord for the toe-kick fan into the electrical outlet.
3. Install the kickplate with the toe-kick fans to the display case (See Figure 3).
 - a. Install Tinnerman clip at each base to the kickplate support bracket.
 - b. Position the side kickplate or kickplate splice (if applicable) and front kickplate.
 - c. Insert fasteners to secure the front and side kickplate (if applicable) to the Tinnerman clips.

FIGURE 2: Electrical Outlet for Toe-Kick Fan

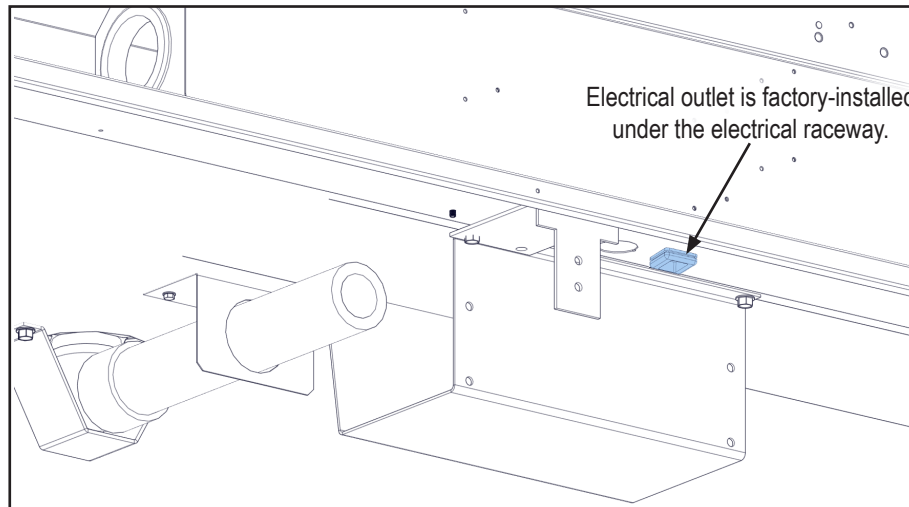


FIGURE 3: Install Kickplate with Toe-Kick Fans (only bottom of case shown)

