

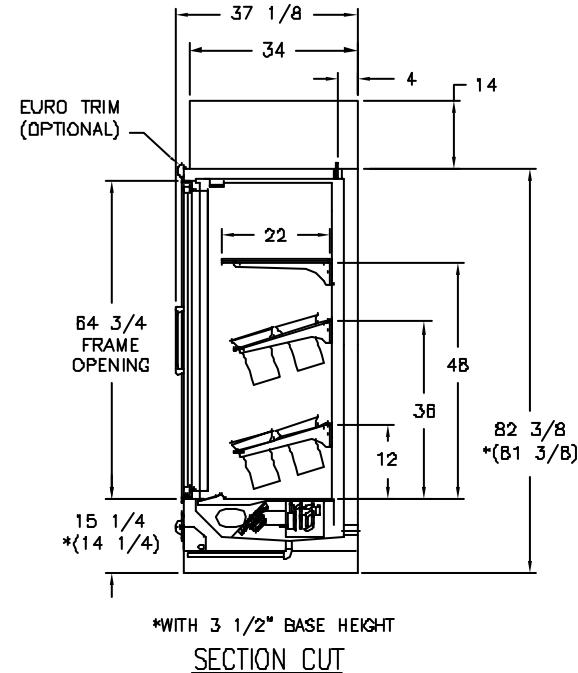
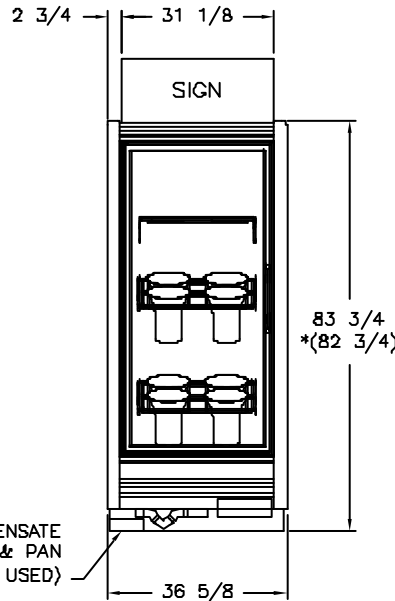
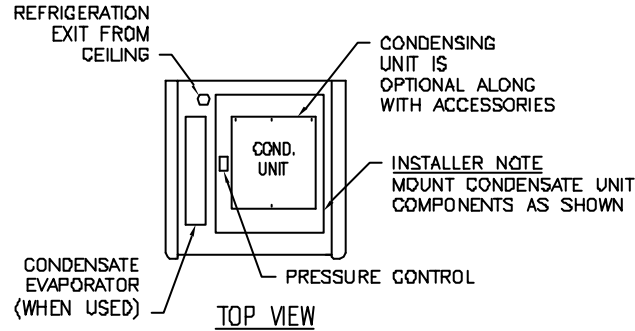
SPECIFICATIONS	1RMCC30FL-SC	
ELECTRICAL:	ANTHONY ELS DOOR W/ FRAMELESS DOOR	
FANS, LIGHTS, ANTI SWEAT, PUMP, CONDENSATE EVAP., CONDENSING UNIT	115V-1-60	9.50 AMPS
DEFROST:	OFF CYCLE	
SUPERHEAT SETTING:	10-15° F	
CONDENSING UNIT SIZE:	1/4 H.P.	
PRESSURE SETTINGS:		
	LOW SIDE CUT-IN	70 P.S.I.G.
	LOW SIDE CUT-OUT	40 P.S.I.G.
REFRIGERANT:	3.53 LB. R22	
ACCESSORIES:	1 GLASS SHELF W/1 GLASS SHELF SUPPORT & 1 LH & 1 RH BRACKET, 2 BUCKET SHELF, 8 BUCKETS & 2 LH & 2 RH BRACKETS	

USE ONLY WITH REMOTE CONDENSORS

THE NOVAR PROBE SHOULD BE MOUNTED IN THE DISCHARGE AIR (BEHIND COIL). IF POSSIBLE IT SHOULD BE MOUNTED ON A BRACKET PART # 26-0059 AND CLAMP 70-0097 TO HOLD IT DIRECTLY IN THE AIR STREAM. A PLASTIC FASTENER IS TO BE USED TO AVOID PICKING UP THE METAL TEMPERATURE. THE LEADS CAN EITHER BE RUN INSIDE THE CASE WITH A MINIMUM OF 2 FEET OF LEAD LEFT IN THE WIRING TRAY OR THEY CAN BE RUN OUT THE REFRIGERATION EXIT AND COILED AND TAPED TO THE CASE.

INSTALLER NOTE

SECURE PUMP DISCHARGE TUBE TO CONDENSATE EVAPORATOR OVERFLOW TUBE WITH TIE WRAP



TOLERANCES U.O.S

FRACTIONAL	DECIMAL	ANGULAR
D DESIGNATES ± 1/8	±	±
C DESIGNATES ± 1/16	ALL DIMENSIONS ARE IN INCHES UNLESS OTHERWISE NOTED	
B DESIGNATES ± 1/32		
A DESIGNATES ± 1/64		

H					
G					
F					
E					
D					
C					
B					
A	NEW ISSUE	6358	4/7/03	EG	
NO	REVISIONS	ECN NO.	DATE	BY	

		REFRIGERATOR MANUFACTURING COMPANY INC.
1RMCC30FLSC SPEC		
DRAWN BY EG	DATE 4/7/03	DRAWING NO. SP-0477
SCALE NONE	CHECKED BY	REV. LVL. A